

A proven, versatile enclosure designed to environmentally protect outside plant equipment coax cabling, and fiber splicing in OSP networks

The Amphenol CMPH-7 Series Multi-Purpose Housing is designed for new installations as well as rehabilitation of existing CATV pedestal housings. The superior structural strength, outstanding environmental protection and ease of installation combine to create a long-life housing that reduces operational expenses. The CMPH-7 series housing has proven itself as a versatile workhorse supporting in a wide variety of applications and customer networks. Available with both vented and non-vented domes.

Applications

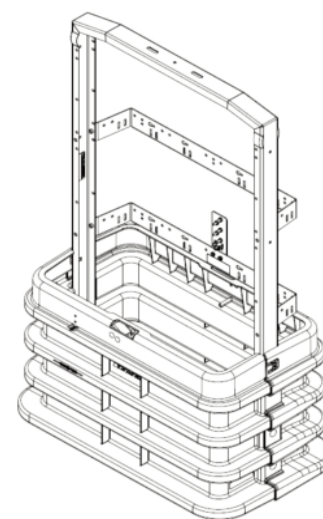
- Low cost solution to protect splice cases and fiber splicing
- Retrofits and upgrades to replace failing metallic enclosures
- Split base for simplified placement around existing cables

As a passive or active storage enclosure the CMPH-7 is a lower cost, easier to maintain than a handhole, providing an easy to locate and access, versus underground handholes potential of water fill and freezing.

- Lift-off dome: Enables 360 degree access to internal working areas. Dual 7/16" hex-head stainless steel locks provide security while allowing access via standard 216-tool or can wrench. Optional padlock hasp for added access control.
- Ample base size: The base provides ample room to bring in multiple cables and conduits for maximum user flexibility.
- Sturdy non-metallic construction: Offers superior dent resistance, corrosion protection, and electric shock safety.
- Repositionable bonding and grounding bar: Offers flexibility for user equipment installation.



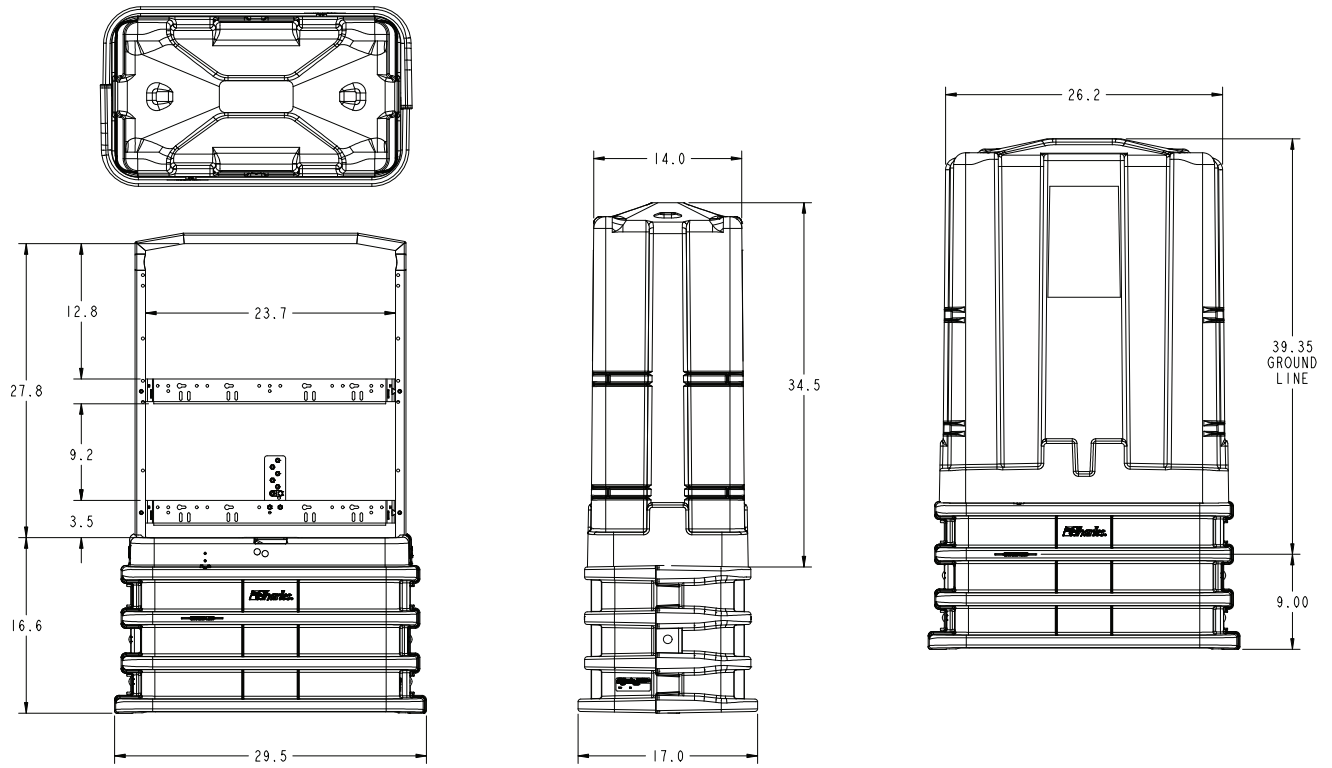
CMPH-7 Housing



Ordering Information

ABS Part No.	Description	Skid Qty/MOQ
CMPH-750SFN	CMPH, 26"x14" housing "U" upright with dual fiber storage brackets, bond plate w/ lugs, lt green, non-vented dome, hex head lock	3
CMPH-7C0GNXV	CMPH, 26"x14" housing, "U" upright w/ dual fiber storage brackets & strand bracket, bond plate w/ lugs, lt green, vented dome, hex head lock	3

Part Number: CMPH-750SFN



Part Number: CMPH-7C0GNXV

