

**Shown:  
Modular Cabinet  
4-Bay MC-1 Solution**

Amphenol Modular Cabinets offer the ultimate in flexibility for outdoor enclosure deployments. Multiple standard bays can be mixed and matched into a multitude of different configurations to suit a specific application. The cabinet lineup can be built and shipped direct from our factory in the desired configuration. Additional bays can be ordered separately at a later date to be added in the field to accommodate growth. Standard bay types include relay rack bays to support power and active electronics, passive fiber management, and battery bays to support multiple strings of 12V Monoblock batteries. Options include different thermal management systems for bays needing cooling, internal or external AC power panels, integrated AC-DC power systems, fiber panels, and plinths. Thermal management systems are door mounted and can be added / changed out in the future as cooling needs change. Modular Cabinets are available in three different sizes (size per bay):

MC-1 (small)	62"H x 32"W x 32"D	31RU Equipment Space (front/back)
MC-2 (medium)	74"H x 32"W x 36"D	38RU Equipment Space (front/back)
MC-3 (large)	84"H x 32"W x 36"D	43RU Equipment Space (front/back)

**Specifications:**

Construction	0.125" Aluminum Welded Construction Outer Enclosure, Powder Coated Cool White Finish,
Mounting Style	Pad Mount

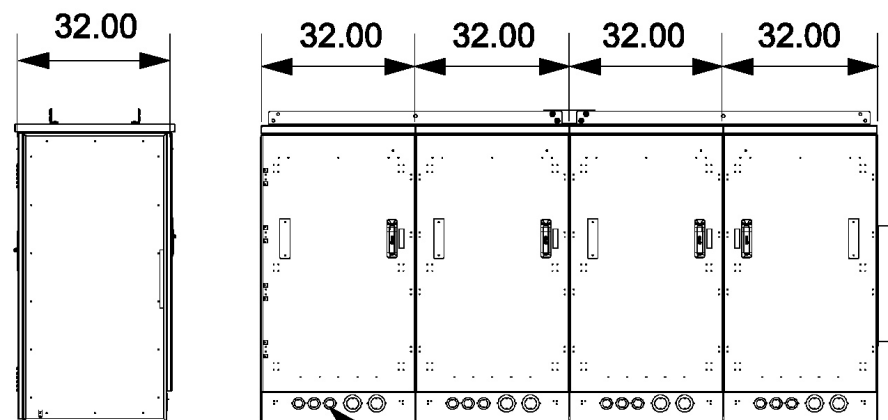
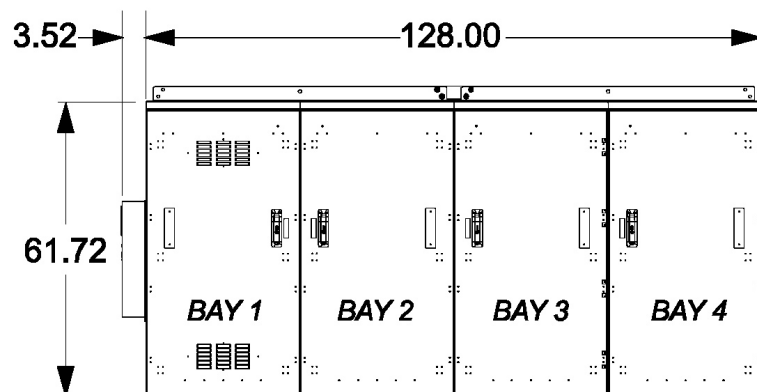
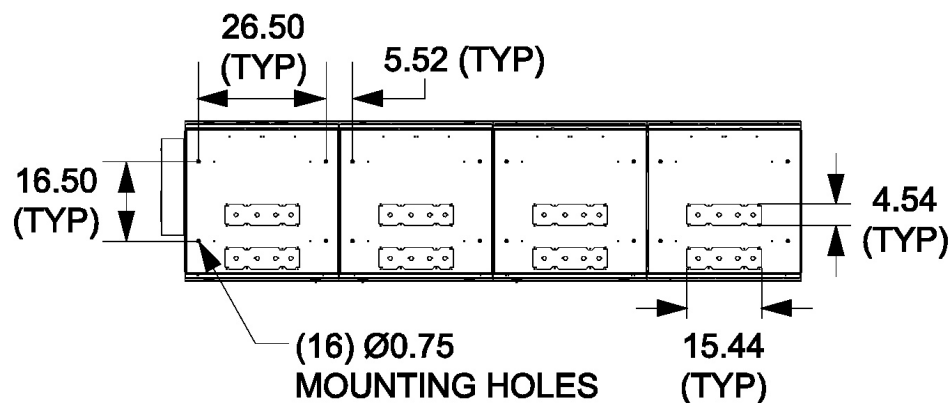
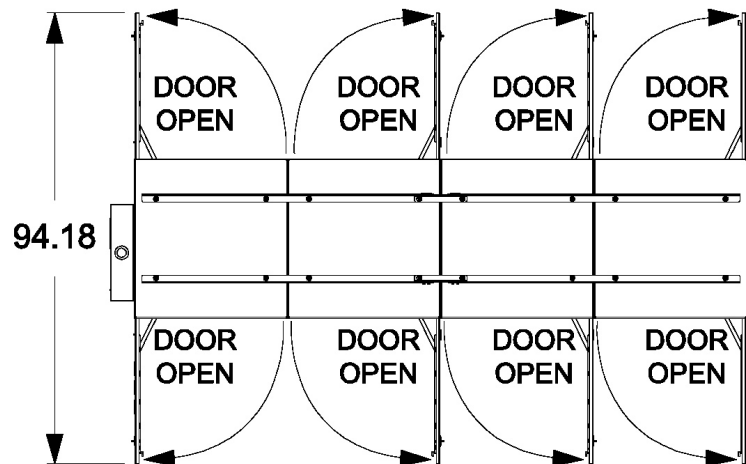
**Shown: Modular Cabinet 2-Bay MC-1 Solution**



For additional product information, please contact your sales ABS representative.

# CUBE Modular Cabinet Series

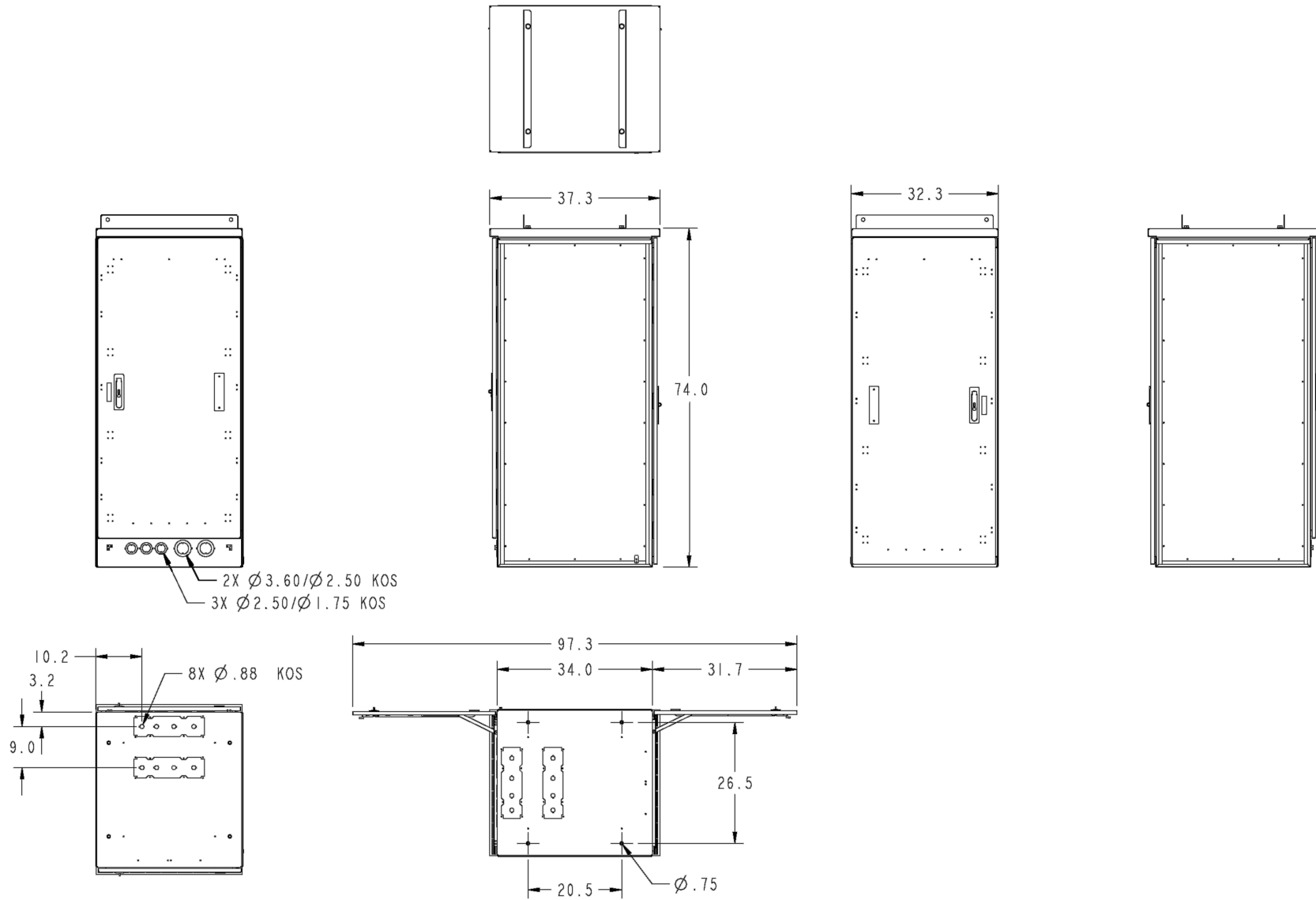
## CUBE MC-1 Dimensional Views (4-Bay Configuration Shown)



(3) Ø1.75/2.50 KNOCKOUTS  
(2) Ø2.50/3.60 KNOCKOUTS  
(PER BAY)

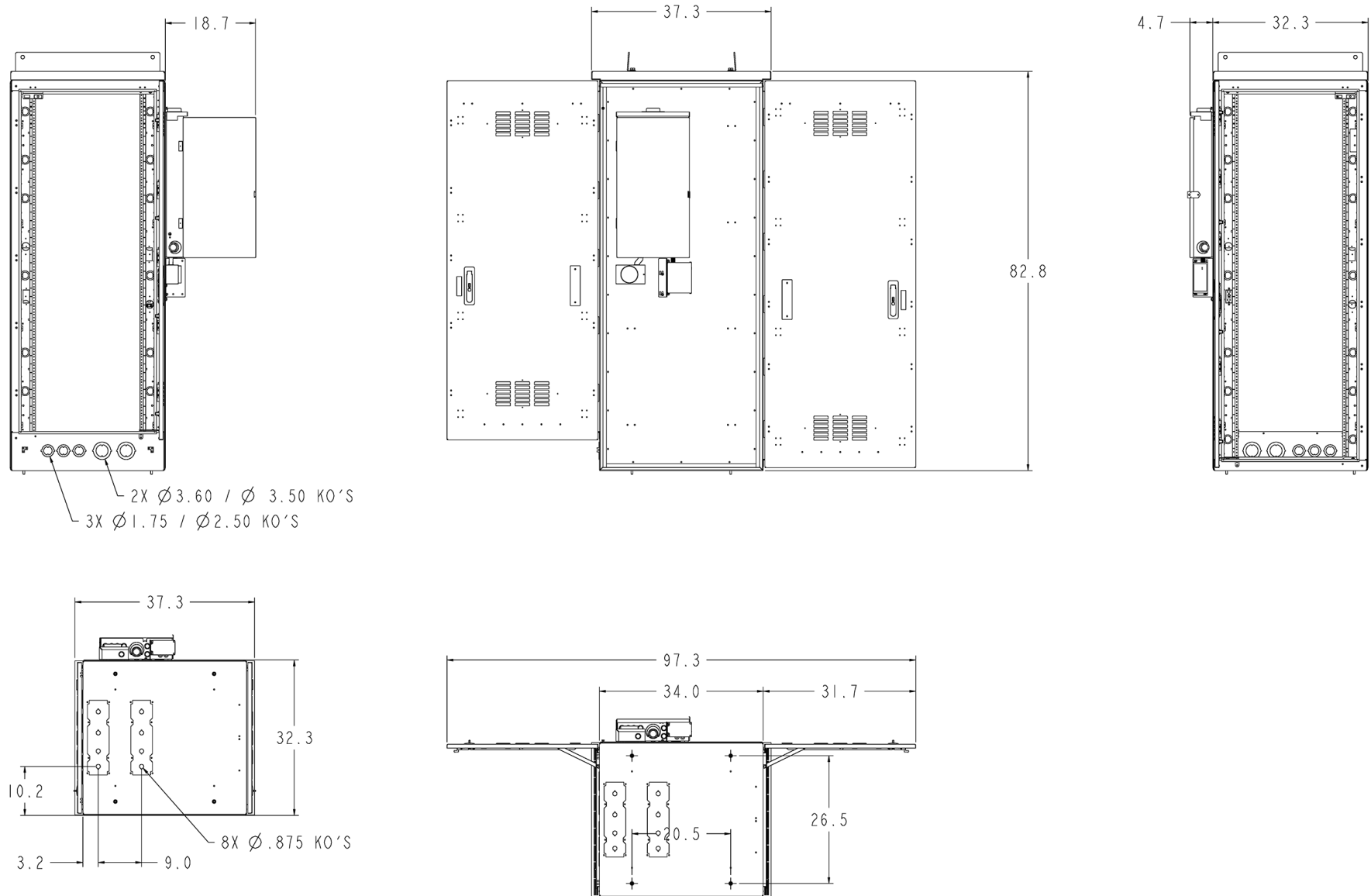
# CUBE Modular Cabinet Series

## CUBE MC-2 Dimensions (Single Bay)



# CUBE Modular Cabinet Series

## CUBE MC-3 Dimensions (Single Bay)



# CUBE Modular Cabinet Series

## Ordering Information - Popular configurations

Quantity	Description	ABS Part Number
<b>1 Bay</b>		
1	1 Bay with Power Meter	MC-12CHM2
1	1 Bay NO Power Meter	MC-12CHE2
1	1 Bay CPAD	CPAD-M1BUNI4036
1	Anchor Screw	CPAD-SCRWANCRKT
1	Toggle Bolts	97-TOGGLE5-A
1	Mesh Filter	39-00260-0
<b>2 Bay</b>		
1	2 Bay with Power Meter	MC-12CHFNM1
1	2 Bay NO Power Meter	MC-12CHFNE1
1	2 Bay CPAD	CPAD-M2BUNI7836
1	Anchor Screw	CPAD-SCRWANCRKT
1	Toggle Bolts	97-TOGGLE10-A
1	Mesh Filter	39-00260-0
<b>4 Bay</b>		
1	4 bay with Power Meter	MC-12CHFNFNENM1
1	4 bay NO Power Meter	MC-12CHFNFNENE1
1	2 Bay CPAD	CPAD-M2BUNI7836
1	2 Bay CPAD Extension	CPAD-M2EUNI7836
2	Anchor Screw	CPAD-SCRWANCRKT
2	Toggle Bolts	97-TOGGLE10-A
1	Mesh Filter	39-00260-0
<b>Extension Bay</b>		
1	1 Bay Extension only	ME-12FN
1	2 Bay CPAD Extension	CPAD-M2EUNI7836
2	Anchor Screw	CPAD-SCRWANCRKT
2	Toggle Bolts	97-TOGGLE10-A
1	Mesh Filter	39-00260-0

# CUBE Modular Cabinet Series

## Configurator Generator

MC- **A** **B** **C** **D** **C** **D** **C** **D** **C** **D** **E** **F**

Series      Equipment Compartment Doors & Mounting Style      1st Bay Style      1st Bay Thermal      2nd Bay Style      2nd Bay Thermal      3rd Bay Style      3rd Bay Thermal      4th Bay Style      4th Bay Thermal      Power      Configuration Number

For Values A through E, choose desired option from corresponding column below.

### A

#### Series

- 1 - 62"H x 32"W x 32"D
- 2 - 74"H x 32"W x 36"D
- 3 - 84"H x 32"W x 36"D

### B

#### Equip Compartment Doors & Mounting Style

- 2 - Front and Rear Door
- 5 - Front Door, Rear Panel

### C

#### Bay Style

- B - Modular Battery Bay
- E - Modular Equipment Bay
- F - Modular Passive Fiber
- G - Modular Equipment Bay, Insulated
- N - None

### D

#### Bay Thermal

- 2 - 2000 BTU DC HVAC
- 5 - 6000W CTMS
- 6 - 6000 BTU DC HVAC
- 7 - 17000 BTU DC HVAC
- C - 12000 BTU DC HVAC
- F - Direct Air Cooler (DAC)
- G - Vented Only
- H - Vented w/ Fan
- J - 4000 BTU HVAC 120VAC
- K - 4000 BTU DC HVAC
- L - 10000 BTU DC HVAC
- M - 1880W HX
- N - None
- R - 24000 BTU DC HVAC
- T - 3500W 48VDC HX
- U - 10000 BTU HVAC, 240VAC
- V - (2) 10000 BTU DC HVAC
- Y - (2) 10K BTU AC Powered HVAC

### E

#### Power

- K - 16 Position AC Load Center
- N - No Power
- P - AC, 20 Position
- T - AC, 30 Position

### F

#### Configuration #

**ABS will assign configuration #, use "1" as default.**

### Sample Part Numbers:

#### MC-25BHEHN1

Modular Cabinet, Medium (74"H x 32"W x 36"D), Front Door and Rear Panel, No Power

- 1st Bay: Modular Battery Bay, Vented with Fan
- 2nd Bay: Modular Equipment Bay, Vented with Fan

#### MC-12BJBJEJFNK1

Modular Cabinet, Small (62"H x 32"W x 32"D), Front and Rear Doors, 16 Position AC Load Center

- 1st Bay: Modular Battery Bay with 4000 BTU HVAC 120VAC
- 2nd Bay: Modular Battery Bay with 4000 BTU HVAC 120VAC
- 3rd Bay: Modular Equipment Bay with 4000 BTU HVAC 120VAC
- 4th Bay: Modular Passive Fiber with no power