

Keep coax and fiber optic cable drops organized, protected and safe with Amphenol's non-metallic riser pipes and wire guards

Many service calls resulting from accidental cable damage can be prevented by the use of riser pipes and wire guards. Proper wire management of both aerial and buried wire drops and ground wires not only increases safety, but also is aesthetically pleasing at the customer premise. Amphenol Riser Pipes and Wire Guards are constructed out of lightweight, UV stabilized PVC that will not rust, dent or corrode. A smooth inside surface finish prevents cable snags. They can be easily handled and cut on the job site, and offer inexpensive protection against wind, snagging, and vandalism.

To meet your every need, Amphenol offers straight, offset, and elbowed riser configurations as well as a large selection of couplers, end caps, and clamps to finish the job right.

Two series are available with differing cable capacities: 119/122 Series Risers & Wire Guards feature a 7/8" outside diameter; 219/222 Series Risers & Wire Guards feature a 1 1/4" outside diameter.

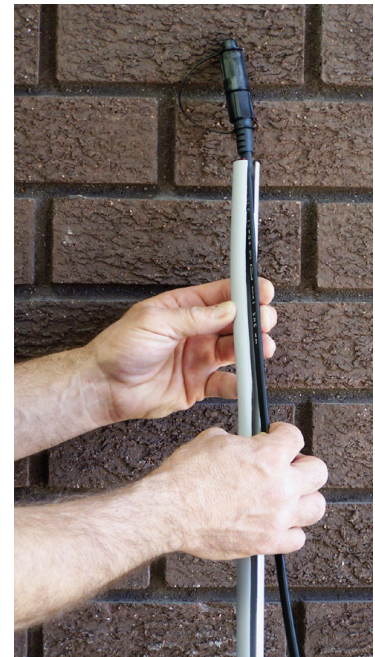


Split Risers for Fiber Optic Cables

Pre-connectorized fiber drops with large connectors can be troublesome to protect with standard-sized riser pipes. Amphenol Split Risers allow technicians to protect fiber optic cables without having to force the bulky connector ends through the pipe. Instead, the cable can be easily inserted through the split design. The split edge is then mounted towards the premises wall, providing total coverage. Split Riser is identified with an "s" at the end of the part number.

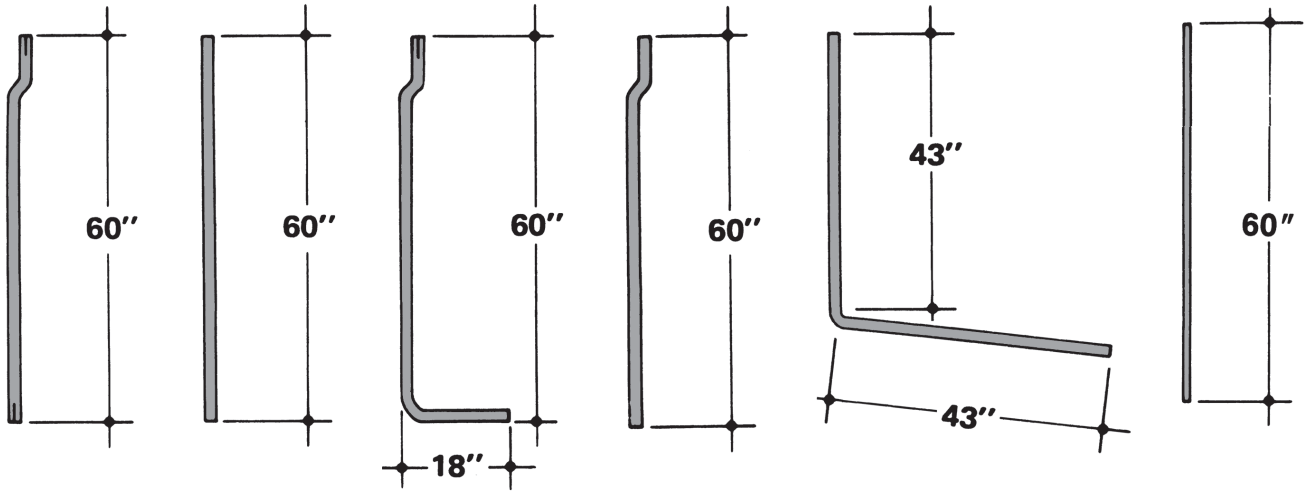
Applications:

- Utility pole to buried wire
- Aerial drop wire to station protector
- Station protector to ground (ground wire)
- Station protector to buried wire



Riser Pipes 

Wire Guard 



12-119
12-119S
12-219

12-119-1
12-219-1

12-119-2
12-219-2

12-119-9
12-219-9

12-119-10

12-119-2
12-119-2



Clamp
12-44
12-54



Coupler
12-50
12-60



End Cap
12-59
12-69



119/122 Series (7/8" diameter)

| Item Type | Series | Part # | Description | Standard Pkg. |
|-------------|--------|-----------|--|---------------|
| Riser | 119 | 12-119 | 5' Straight with Offset & Notch, 2 Clamps | 30 |
| Riser | 119 | 12-119-1 | 5' Straight, 2 Clamps | 30 |
| Riser | 119 | 12-119-2 | 5' L-bend Elbow with Offset & Notch, 2 Clamps | 60 |
| Riser | 119 | 12-119-9 | 5' Straight with Offset, 2 Clamps | 30 |
| Riser | 119 | 12-119-10 | 43" 78 degree L-bend Elbow, No Offset, 2 Clamps | 60 |
| Split Riser | 119 | 12-119S | 5' Straight with Offset & Notch, Split Opening, 2 Clamps | 30 |
| U-Guard | 122 | 12-122-5 | 5' Straight, 2 Clamps | 30 |
| Accessories | 119 | 12-59 | End Caps | 100 |
| Accessories | 119 | 12-44 | Clamps | 100 |
| Accessories | 119 | 14-50 | Coupler | 25 |

219/222 Series (1¼" diameter)

| Item Type | Series | Part # | Description | Standard Pkg. |
|-------------|--------|----------|---|---------------|
| Riser | 219 | 12-219 | 5' Straight with Offset & Notch, 2 Clamps | 15 |
| Riser | 219 | 12-219-1 | 5' Straight, 2 Clamps | 15 |
| Riser | 219 | 12-219-2 | 5' L-bend Elbow with Offset & Notch, 2 Clamps | 30 |
| Riser | 219 | 12-219-9 | 5' Straight with Offset, 2 Clamps | 15 |
| U-Guard | 222 | 12-222-5 | 5' Straight, 2 Clamps | 15 |
| Accessories | 219 | 12-69 | End Caps | 30 |
| Accessories | 219 | 14-54 | Clamps | 30 |
| Accessories | 219 | 14-60 | Coupler | 15 |

Custom designs available for special applications. Please call for further details.

Riser Shipping Weight Table

| Riser Series | Description | Carton Qty | Carton Dimension | Skid Qty | Skid Dimension | Est. Skid Weight | Ships from |
|--------------|------------------------------------|------------|-------------------------|----------|----------------|------------------|------------------|
| 12-119 | 5' with offset & notch | 30 | 5.25" x 5.25" x 63" | 1260 | 39" x 64" | 665 lb. | Canton, MO 63435 |
| 12-119-1 | 5' straight | 30 | 5.25" x 5.25" x 63" | 1260 | 39" x 64" | 665 lb. | Canton, MO 63435 |
| 12-119-9 | 5' with offset | 30 | 5.25" x 5.25" x 63" | 1260 | 39" x 64" | 665 lb. | Canton, MO 63435 |
| 12-119S | 5' w/offset & notch, split opening | 30 | 5.25" x 5.25" x 63" | 1260 | 39" x 64" | 665 lb. | Canton, MO 63435 |
| 12-1191S | 5' straight, split opening | 30 | 5.25" x 5.25" x 63" | 1260 | 39" x 64" | 665 lb. | Canton, MO 63435 |
| 12-119-2 | 5' L-bend with offset & notch | 60 | 5.5" x 22.5" x 69" | 720 | 42" x 70" | 665 lb. | Canton, MO 63435 |
| 12-119-5 | 6' L-bend | 60 | 5.5" x 22.5" x 82" | 720 | 42" x 84" | 665 lb. | Canton, MO 63435 |
| 12-119-10 | 43" 78 deg L-bend | 60 | 42" x 5.5" x 42" | 480 | 42" x 48" | 400 lb. | Canton, MO 63435 |
| 12-119-12 | 12" with offset & notch | 150 | 18.125" x 16" x 12" | 2,702 | 42" x 48" | 300 lb. | Canton, MO 63435 |
| 12-122 | 8' straight U-guard | 30 | 5.5" x 5.5" x 99" | 360 | 39" x 99" | 280 lb. | Canton, MO 63435 |
| 12-122-5 | 5' straight U-guard | 30 | 5.25" x 5.25" x 63" | 1260 | 39" x 64" | 665 lb. | Canton, MO 63435 |
| 93-CARI01-A | 5" straight w/offset & notch | 24 | 5.25" x 5.25" x 63" | 1008 | 39" x 64" | 550 lb. | Canton, MO 63435 |
| 93-CARI02-A | 8' J-bend elbow | 30 | 7.625"x15.625"x100.375" | 300 | 40" x 101" | 400 lb. | Canton, MO 63435 |