

Pedestal Housing for Next Generation CATV / Broadband Network Equipment

Next generation CATV network upgrades, including Remote PHY (R-PHY), MAC-PHY, Node + 0, Node + N, etc., are placing increasing thermal and space demands on outside plant pedestal housings. New R-PHY optical nodes are being engineered to dissipate 160 Watts of power; significantly greater than prior generations of pedestal housings were designed to accommodate. Pedestals that cannot accommodate 160W can result in network outages or shorter equipment lifespans due to over-heated equipment.


The Amphenol Z14 pedestal housing was engineered specifically to meet the demands of next generation CATV network architectures and equipment. It is built to withstand the harsh elements typically found in outside plant deployments. Leveraging our expertise in outside plant enclosure engineering, thermal analysis, design and testing, the Z14 is capable of supporting R-PHY compliant equipment across all regions in the USA.



Features:

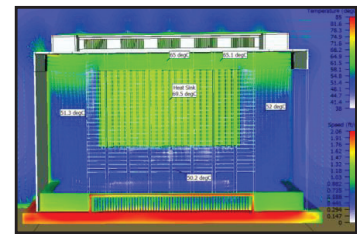
- Molded of high-density polyethylene (HDPE) with ultraviolet U/V inhibitors to provide impact resistance, color stability and long-life
- High-density engineered venting providing robust heat dissipation for high-output R-PHY nodes
- Insect resistant openings to prevent wasp and bee intrusion to protect technicians accessing the enclosure
- Self-latching dome locking system reduces unlocked pedestals and unwanted access
- Two-piece base allows for easy retrofit installations
- Self-supporting base requires no additional mounting stake
- Molded-in ground line for consistent installations
- Corrosion resistant aluminum or stainless steel brackets and hardware for long service life
- Multiple bracket options for various node deployment options

Specifications:

Color	Light Green - Standard (option #2)	
Lock	HEX (option SS07) 	Additional custom lock options are available. Please contact your account representative for details.
Cover Dimensions	38"X24"X26"H	
Overall Dimensions	42"X30"X41"H	

Thermal Analysis:

Our Thermal Management Experts are available to consult with you on your specific application's heat dissipation needs, including thermal modeling of equipment as would be housed. Please contact your account representative for details.



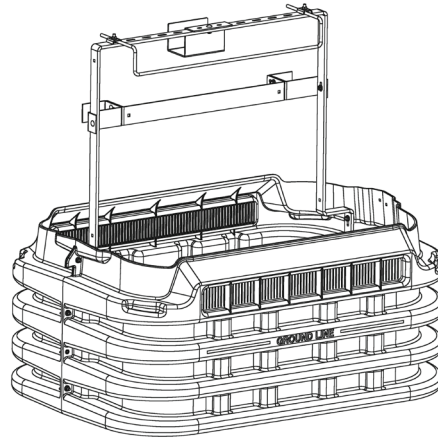
Ordering Information

CIFA Number	Description	Skid Qty MOQ	ABS Part Number
94421	AMP / Node pedestal, high heat, cover 38x24x26"H, overall 42x30x41"H, light green, hex head self-latching dome, low profile node bracketry with fiber storage brackets	4	Z14SS07-20007BK
306381	AMP / Node pedestal, high heat, cover 38x24x26"H, overall 42x30x41"H, dark green, hex head self-latching dome, low profile bracket with fiber storage, Blank nameplate	4	Z14SS07-40007BK
306767	AMP/NODE pedestal, with extended base high heat, cover, 38x24x16"H, overall 42x30x60"H, light green hex head self-latching dome, low profile node bracket with fiber storage brackets	2	Z24SS07-20007BK

KEYS

TBD	Key for Hex-head (SS07) lock, order in quantities of 10 keys	C216C-01
41151	Key for Skeleton "P" (SCCP) lock, order in quantities of 10 keys	KEY-SCCP
TBD	Key for Pattern 801-head (S801) lock, order in quantities of 10 keys	KEY-S801

Bracket



**Low-Profile Node Bracket
with Fiber Slack Management**
(Option 007)

Housing Dimensions

