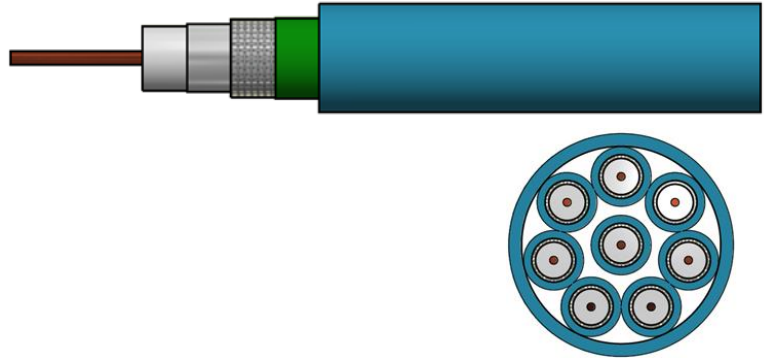


75 Ω Mini-Series Coaxial Cable

- Copper Conductor
- Foamed Polyethylene Dielectric
- Bonded APA Laminate Shield
- 95% Tinned Copper Braid
- APA Laminate Shield
- Color PVC Jacket
- NEC CEC 800 CMR-CMG Listed
- Headend Application – 08X Bundle
- Color PVC Outer Jacket



Coax Jacket Colors Available

Black	White	Gray	Red	Blue
Violet	Orange	Brown	Green	Yellow
Aqua	Rose	Pink	Tan	

Cable Ordering Information

Part Number	Description	NEC / CSA Listing
075J95V12xx4190000R1	T75MCT95T-V(CMR-CMG) xxxx- / HE 08X UNIT	NEC CEC 800 CMR-CMG Listed

Characteristics

Material	Detail	inches	mm
Inner Conductor	Copper	0.0226	0.57
Dielectric	Foamed Polyethylene	0.102	2.59
1 st Outer Conductor	Sealed APA Tape	0.106	2.69
2 nd Outer Conductor	95% Tinned Copper Braid	0.131	3.33
3 rd Outer Conductor	APA Tape	0.135	3.43
Jacket	PVC, Flame Retardant, Color	0.184	4.67
Bundle Diameter		0.695	17.66

Mechanical Specifications

Minimum Bend Radius, in. (mm)	15.0	(381)
Product Weight (less reel)	28 lbs /kft	

xx & xxxx-xxxx = denotes the inner and outer jacket color, other available with conditions

Customers are reminded that they are SOLELY responsible for confirming that all products are properly installed and used in accordance with all applicable codes and regulations.

Times Fiber Communications, Inc.
358 Hall Avenue
Wallingford, CT 06492
Toll Free +1-800-677-2288
Toll +1-434-432-1800
Fax +1-434-432-1821
www.timesfiber.com

Document: t75mct95t-v[cmr-cmg] xxxx-xxxx he 08X_3ghz19.docx
Revision: 1.09.2019
Page: 1 of 2

uncontrolled copy

All Rights Reserved,
Specifications subject to change without notice

Electrical Specifications		
Impedance, Ω	75 \pm 3	
Velocity of Propagation, %	83	
Capacitance, Nominal	16.2 pF/ft	53.1 pF/m
DC Resistance	Ω / kft	Ω / km
Inner Conductor	21.0	69
Outer Conductor	7.00	23
Loop	28.0	92

Attenuation, Maximum @ 68°F (20°C)		
Frequency, MHz	dB / 100 ft	dB / 100 m
5	0.96	3.15
55	2.73	8.96
211	5.04	16.54
250	5.48	17.98
270	5.70	18.70
300	6.01	19.72
330	6.31	20.70
350	6.51	21.36
400	6.98	22.90
450	7.37	24.18
500	7.86	25.79
550	8.27	27.13
600	8.66	28.41
750	9.75	31.99
870	10.53	34.55
1000	11.34	37.20
1200	12.37	40.58
1500	13.78	45.21
2000	15.95	52.33
2250	16.96	55.64
3000	19.61	64.34

Customers are reminded that they are SOLELY responsible for confirming that all products are properly installed and used in accordance with all applicable codes and regulations.

Document: t75mct95t-v[cmr-cmg] xxxx-xxxx he 08X_3ghz19.docx
Revision: 1.09.2019
Page: 2 of 2

Times Fiber Communications, Inc.
358 Hall Avenue
Wallingford, CT 06492
Toll Free +1-800-677-2288
Toll +1-434-432-1800
Fax +1-434-432-1821
www.timesfiber.com

uncontrolled copy

All Rights Reserved,
Specifications subject to change without notice