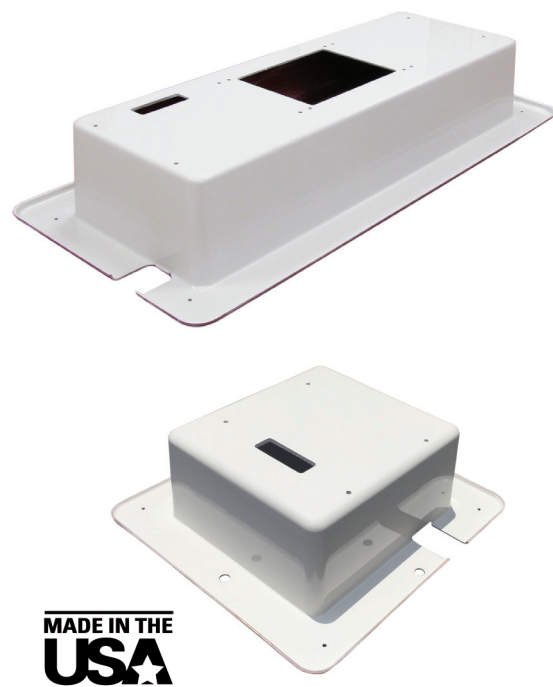


Lightweight Buried Mounting Pad for CUBE™ High-Power Small Cell Cabinets & Shrouds

Amphenol, through its development of Tier Rated Underground Enclosures (TRUE™), has created an innovative Composite Pad (CPAD) that replaces poured-in-place or pre-cast concrete pads. The CPAD enables carriers to more rapidly deploy their network by eliminating days of project work for poured-in-place concrete pads, and the heavy equipment requirements and safety concerns of handling and transporting pre-cast concrete pads. At a fraction of the weight of concrete, CPAD provides a rigid platform for mounting enclosures that house equipment and batteries. In addition to facilitating easier and faster installation, the CPAD provides the ability to utilize the open space on the bottom side of the pad as additional workspace, helping route RF cables and providing economical fiber slack storage.

The advanced composite materials used to make the CPAD meet the chemical resistance, flammability, brush-fire, UV exposure, impact resistance, and water absorption requirements of ANSI/SCTE-77. In addition, CPAD sizes have been created to support Amphenol's CUBE™ Small Cell Series cabinets and shrouds. In product testing, the CPAD surpassed a GR-487 Over-Turn Moment Test which simulated 150 MPH wind force.

Optional stakes and screw anchor kits are provided for sandy soil conditions or for installations on incline grades.

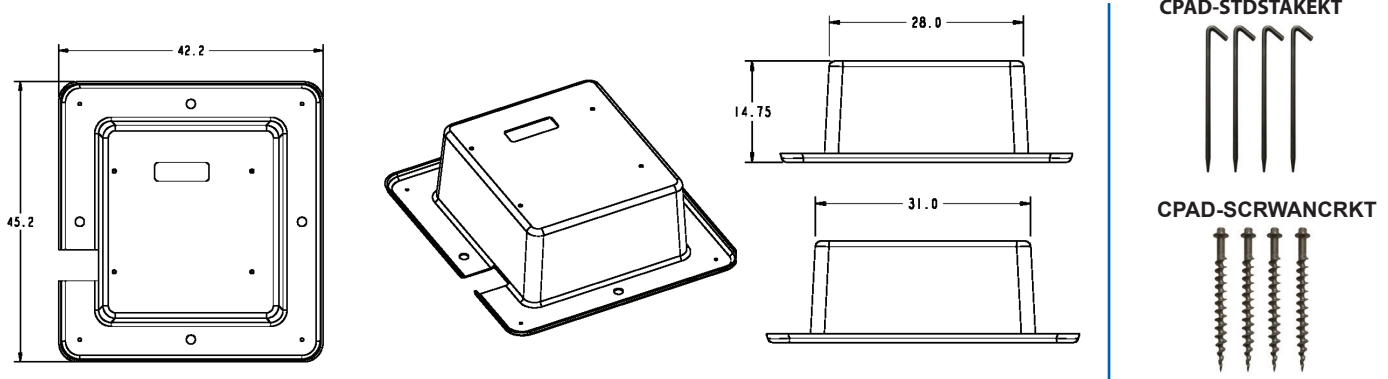


CPAD Part Number	Mold	Outside Dimensions	Platform Dimensions	Weight	Ingress / Egress	Supported Cabinet
CPAD-SAE1211XXX	1/2 Bay	25"W x 23" D x 14" H	20"W x 14" D	25 lbs	7" x 6"	CNUB-421211xBA1
CPAD-SAE1514XXX	1/2 Bay	25"W x 23" D x 14" H	20"W x 14" D	25 lbs	10" x 9"	SHRDPW-NN1ANGE1
CPAD-SAE2014XXX	1/2 Bay	25"W x 23" D x 14" H	20"W x 14" D	25 lbs	15.5" x 22"	CUBE-SC1041NNH1
CPAD-S1EXXXXXXX	1 Bay	42"W x 45" D x 15" H	28"W x 31" D	42 lbs	3" x 8.625"	CUBE-SC2093Xxx
CPAD-S1EXXXXXXA	1 Bay	42"W x 45" D x 15" H	28"W x 31" D	42 lbs	3"x8.6" Power/Battery Compartment 3.6" x 22.0" in Shroud	CUBE-SC2043Xxx
CPAD-S1EPM5X	1 Bay	42"W x 45" D x 15" H	28"W x 31" D	42 lbs	4" x 11"	PM5XXX

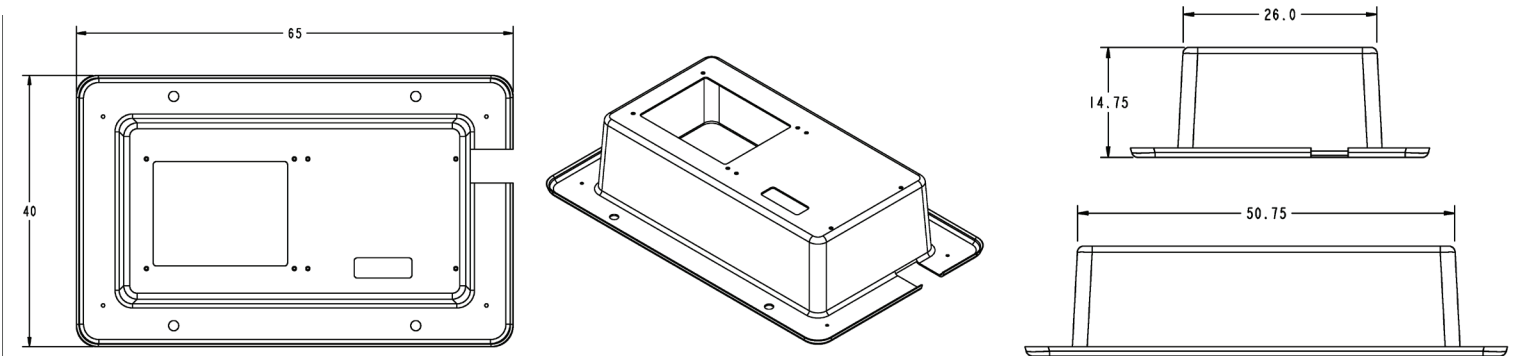
CPAD Part Number	Mold	Outside Dimensions	Platform Dimensions	Weight	Ingress/Egress	Supported Cabinet
CPAD-S15EXCSH56	1.5 Bay	50"W x 40"D x 15"H	36"W x 26"D	61 lbs	18" x 17"	SHRD56 CUBE-SC3NN12NN1
CPADS15EUPE3468	1.5 Bay	50"W x 40"D x 15"H	36"W x 26"D	61 lbs	12" X 22"	Alpha UPE 3, 4, 6 and 8 cabinets
CPAD-S1EUPE36	1 Bay	45"W x 42"D x 15"H	28"W x 31"D	42 lbs	12"X22"	Alpha UPE 3 and 6 cabinets E36
CPAD-S2EXXXXXXX	2 Bay	65"W x 40"D x 15"H	51"W x 26"D	79 lbs	3"x8.6" Power/Battery Compartment 15.5"x20" in RRH Shroud	CUBE-SC20942xxx
CPAD-S2E4300W	2 Bay	65"W x 40"D x 15"H	51"W x 26"D	79 lbs	4.25" x 11.5"	-
CPAD-S3EXXXXXXX	3 Bay	89"W x 40"D x 15"H	75"W x 26"D	105 lbs	3"x8.6" Power/Battery Compartment 15.5"x20" in RRH Shroud	CUBE-SC20942xxx with Add on SHRD
CPAD-S3EX2CSH56	3 Bay	89"W x 40"D x 15"H	75"W x 26"D	105 lbs	(2) 18" x 17"	(2) SHRD56
CPAD-S3EXHYBRD	3 Bay	89"W x 40"D x 15"H	75"W x 26"D	105 lbs	3"x8.6" Power/Battery Compartment 15.5"x20" in RRH Shroud	CUBE-SC21642JN2

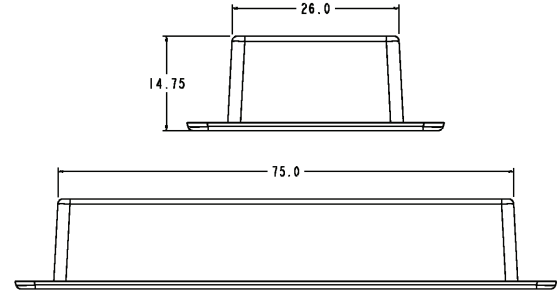
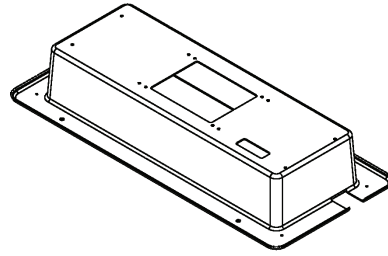
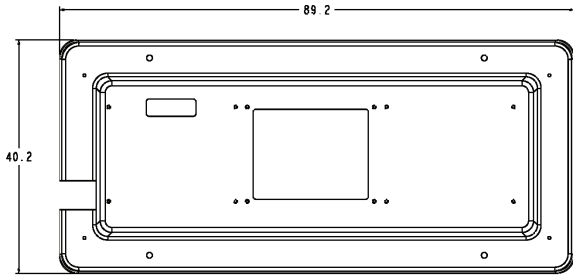
Product Dimensions *(All dimensions are in inches)*

CPAD-S1EXXXXXXX

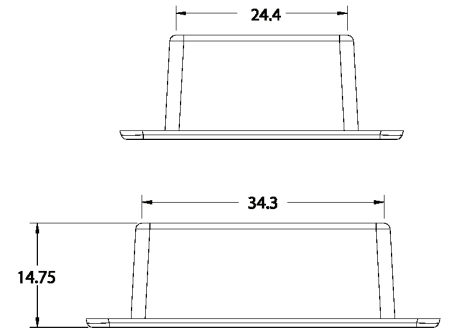
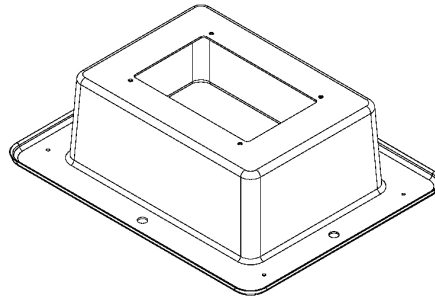
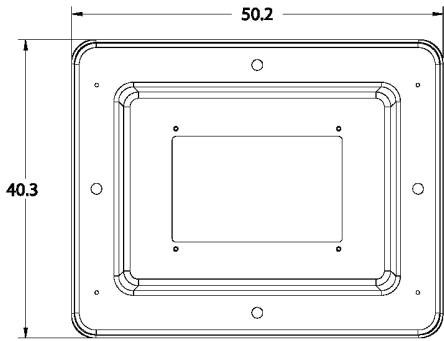


CPAD-S2EXXXXXXX

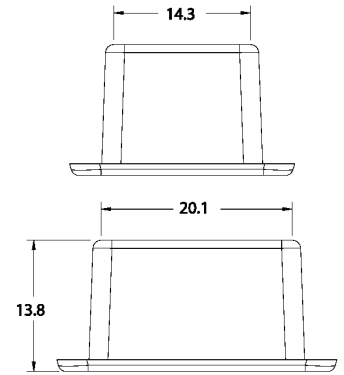
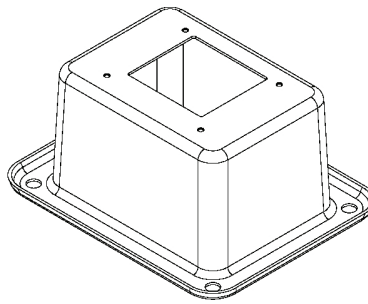
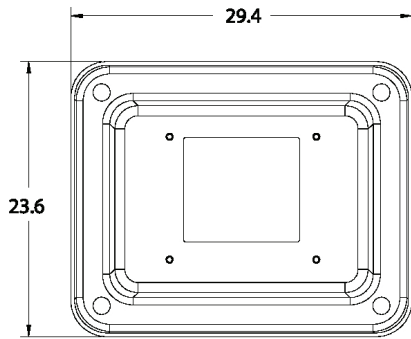




CPAD-S15EXCSH56



CPAD-SAE1514



CPAD-SAE1514

