

Optical Hub Cabinets (OHC) provide fiber distribution to subscribers from a compact, environmentally protected outdoor terminal. OHC have been designed with flexibility in mind and support fusion, pre-terminated and field terminated feed and drop fibers. These PON terminals have space for multiple splitters for incremental growth. They may be pad mounted and are well suited for multi-dwelling unit (MDU) distribution in centralized or distributed Optical Network Terminals (ONT). The OHC 288 houses 48 feed/pass-thru adapters and 288 distribution adapters for fiber distribution to high density buildings with many potential subscribers.

OHC are constructed from powder-coated aluminum that is both durable and lightweight. The unit can be quickly installed by a single technician. Front and rear dual access doors are secured with low-profile, 216-tool quarter turn locks and padlock hasps for additional access control. A grounding bus bar with multiple grounding studs is provided.

Features:

- Supports pre-terminated and field terminated feed and drop fibers
- Front and rear access doors are secured with low-profile, 216-tool quarter turn locks and padlock hasps for additional access control
- Durable and lightweight pad mount enclosure can be quickly installed
- Multiple cable entry locations are positioned at the bottom of the enclosure, allowing flexible placement of feed and distribution cables
- Fiber bend radius controls and routing guides ensure cable management and proper slack storage
- Amphenol Fiber Splitter Modules are available with optimized pigtail lengths
- Constructed from powder-coated aluminum
- Well suited for centralized split in a Passive Optical Network (PON)

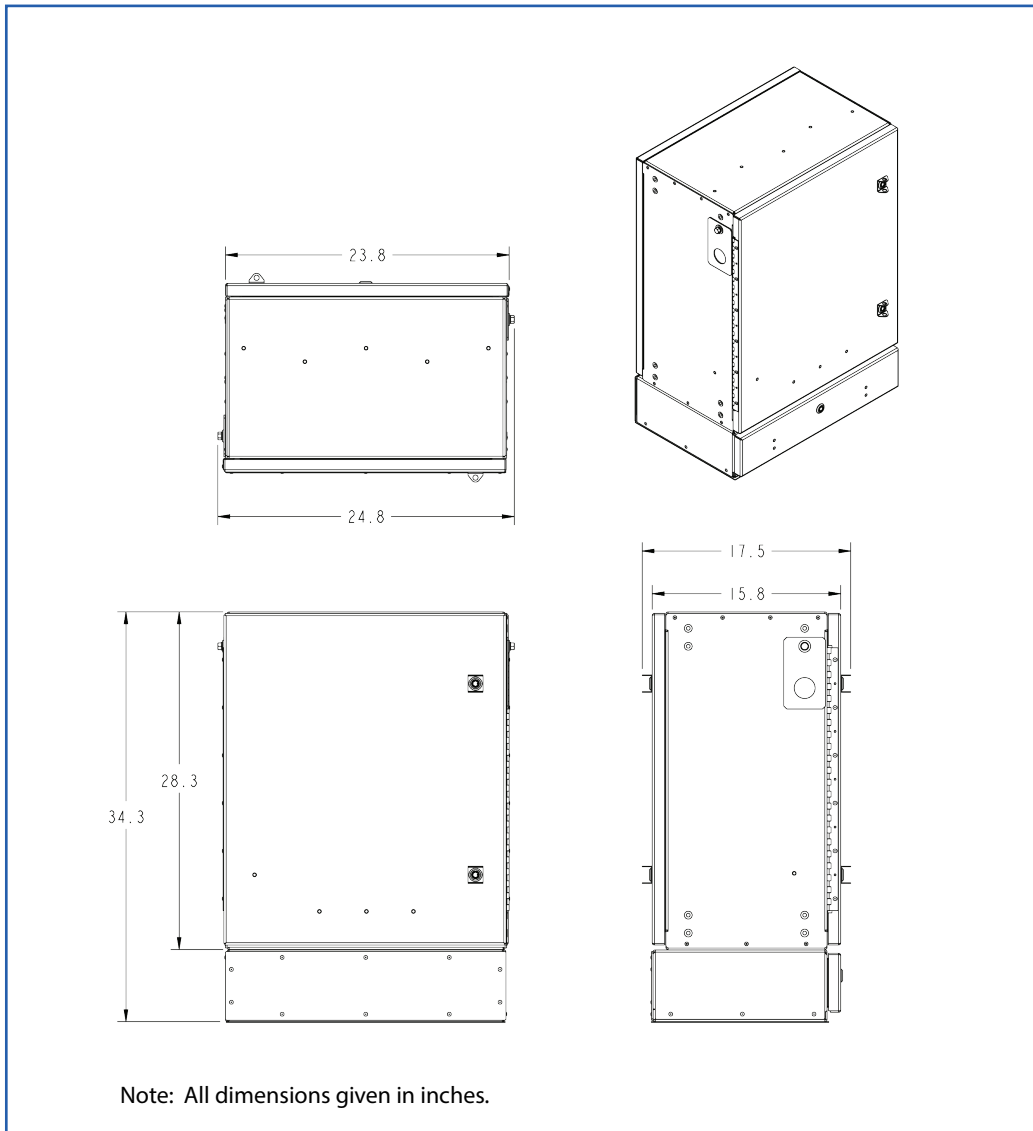


OHC3-288 Enclosure
(shown with optional 6" plinth)

MARKETS SERVED:

- Telecom / FTTH
- Utility
- Wireless
- Broadband Cable

Dimensional Views



Specifications

Overall Dimensions: 28.3"H x 23.8"W x 15.8"D (without plinth)
 34.3"H x 23.8"W x 15.8"D (with 6" plinth)

Weight (empty): 64 lbs.(without plinth)
 76 lbs. (with 6" plinth)

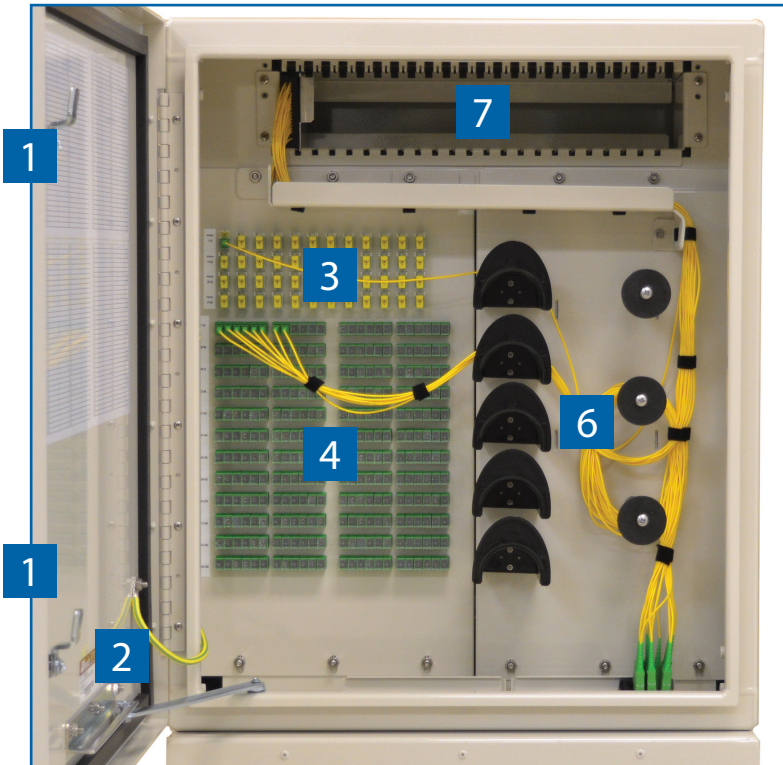
Splitter Capacity: 22

Scalable Bulkhead: 48 Feed / 288 Distribution Maximum

Adapter Type: SC/APC

Finish: Off-White Powder Coated

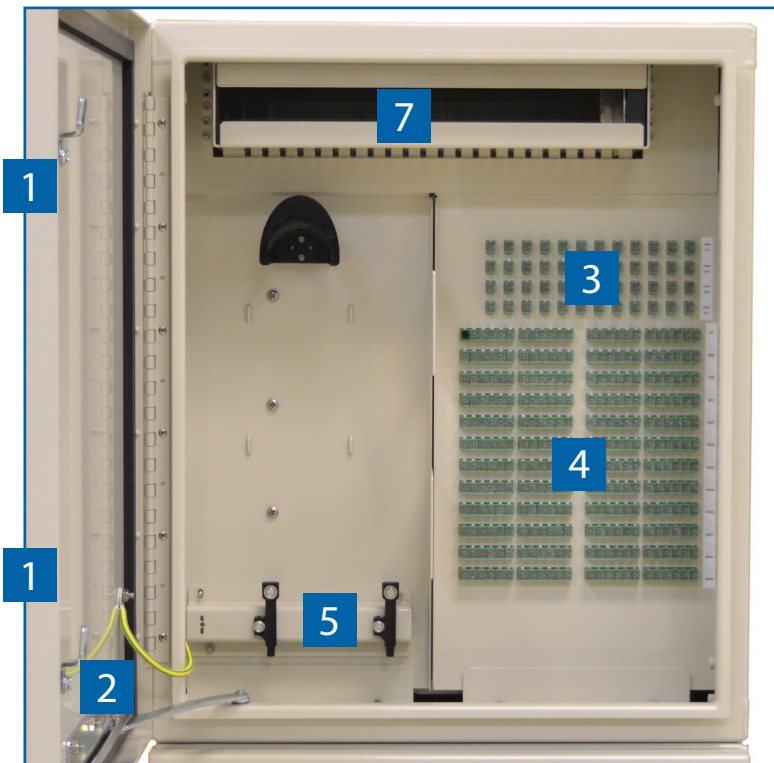
OHC3-288 Splitter Compartment



Compartment Features

- 1** 216-Tool Hex-Head Quarter Turn Lock with 3-Point Latch
- 2** Door Wind Latch
- 3** 48 Feed / Pass-Thru Adapters
- 4** 288 Subscriber Distribution Adapters
- 5** Cable Attachments
- 6** Fiber Management Spools
- 7** 22 Splitter Module Holders

OHC3-288 Cable Compartment



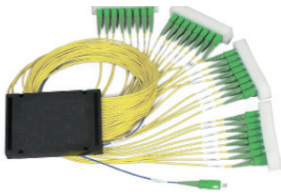
Ordering Information

ABS Part No.	Description
OHC3-288BAAXBC	OHC-144 Outdoor Hub Cabinet, (24) SC/APC adapters - feed, 1 (24) fiber pre-connectorized OSP LT armored SC/APC 100 foot pigtail, 144 SC/APC adapters for distribution, 1 (144) fiber OSP LT armored 100 ft pigtail, 1 (22) splitter holder, 6" plinth
OHC3-288DBAXBC	OHC-288 Outdoor Hub Cabinet, (48) SC/APC adapters - feed, 1 (48) fiber pre-connectorized OSP LT armored SC/APC 100 foot pigtail, 288 SC/APC adapters for distribution, 2 (144) fiber OSP LT armored 100 ft pigtail, 1 (22) splitter holder, 6" plinth
CPAD-BL3048CI43	Tier 8 53"x53"x36" Composite Pad with 30"x48" Cover for 288/432/576 OHCs w/ 4 rack rails
CPAD-S1BUNI2629	Universal CPAD to be created in field based on cabinet size - OHC 288/432/576, (5) 1/2" heavy duty anchors
CPAD-STDSTAKEKT	Composite Pad Standard Stake Kit (qty 4)
CPAD-SCRWANCRKT	Composite Pad Screw Stake Kit (qty 4)

Accessories

97- OHCPMKIT	Pole Mount Brackets
CFSM-FM1132AA-H	Fiber splitter module, OHC 288/432/576/864, 1x32, SC/APC, pre-connectorized yellow 2mm jacket output pigtails, 2mm blue jacketed input pigtail
TBD	Fiber splitter module, OHC 288/432/576/864, 1x64, SC/APC, pre-connectorized yellow 2mm jacket output pigtails, 2mm blue jacketed input pigtail

Note: Other splitter options are available. Please call for details.



Amphenol 1x32 Passive Splitter Module

- High quality, low insertion loss
- Bend insensitive jacketed fiber
- Right-sized drop length for better management

