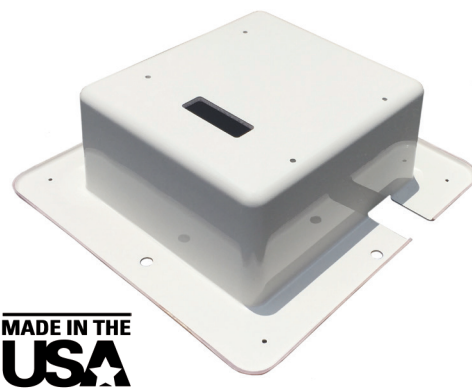


## Lightweight Buried Mounting Pad for CUBE™ High-Power Small Cell Cabinets & Shrouds

Amphenol, through its development of Tier Rated Underground Enclosures (TRUE™), has created an innovative Composite Pad (CPAD) that replaces poured-in-place or pre-cast concrete pads. The CPAD enables carriers to more rapidly deploy their network by eliminating days of project work for poured-in-place concrete pads, and the heavy equipment requirements and safety concerns of handling and transporting pre-cast concrete pads. At a fraction of the weight of concrete, CPAD provides a rigid platform for mounting enclosures that house equipment and batteries. In addition to facilitating easier and faster installation, the CPAD provides the ability to utilize the open space on the bottom side of the pad as additional workspace, helping route RF cables and providing economical fiber slack storage.

The advanced composite materials used to make the CPAD meet the chemical resistance, flammability, brush-fire, UV exposure, impact resistance, and water absorption requirements of ANSI/SCTE-77. In addition, CPAD sizes have been created to support Amphenol's CUBE™ Small Cell Series cabinets and shrouds. In product testing, the CPAD surpassed a GR-487 Over-Turn Moment Test which simulated 150 MPH wind force.

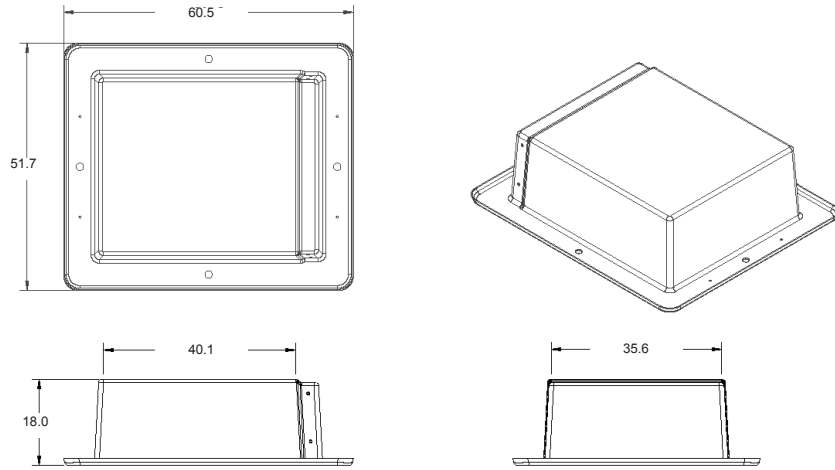
Optional stakes and screw anchor kits are provided for sandy soil conditions or for installations on incline grades.



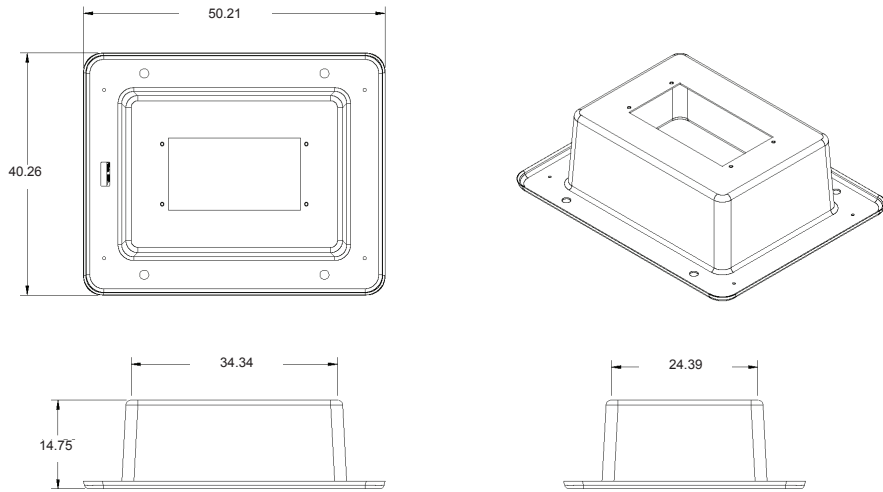
ABS Part No.	Mold	Outside Dimensions	Platform Dimensions	Weight	Ingress /Egress	Supported Cabinet
CPAD-M1BUN14036	1 Bay	60"W x 52"D x 18"H	40"W x 36"D x 18"H	72 lbs	drill mounting hole on site	Alpha FPE cabinet
CPADS15EUPE3468	1.5 Bay	50"W x 40"D x 15"H	36"W x 26" D	61 lbs	12" X 22"	Alpha™ UPE 3, 4, 6 and 8 cabinets
CPAD-S1EUPE36	1 Bay	45"W x 42"D x 15"H	28"W x 31"D	42 lbs	12"X22"	Alpha™ UPE 3 and 6 cabinets E36
ABS Part No.	Qty	Description				
CPAD-SCRWANCRT	4	Composite Pad Screw Anchor Kit				

**Dimensions** (All dimensions are in inches)

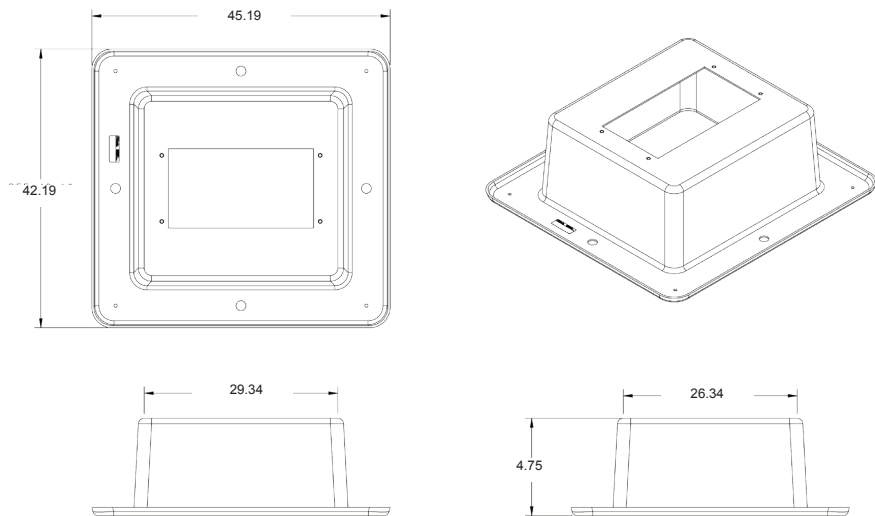
**CPAD-M1BUN14036**



**CPAD-S15EUPE3468**



**CPAD-S1EUPE36**



**CPAD-STDSTAKEKT**



**CPAD-SCRWANCRT**

