



The **Amphenol Home Optic (H-Connector)** is a single fiber FTTH (Fiber to the Home) interconnect assembly designed to be used in direct burial or aerial connection to the NID (Network Interface Device). This compact threaded polymer housing connector provides an IP-68 water and dust seal and is assembled using either flat drop style cables or round OSP cable.

Home Optic assemblies are designed for single fiber connectivity deployed in outdoor environments. Assemblies are manufactured to provide either a PC endface for Multimode, UPC (Ultra polished) or APC (Angle polished) endface for Singlemode applications.

Home Optic (H-Connector) bulkhead receptacles are also available which provide connectivity from the outdoor sealed Home Optic assemblies through an equipment or enclosure wall using a jam nut style mounting to a standard SC/PC, SC/UPC or SC/APC jumper. Home Optic assemblies mate to equipment or enclosures that are pre-fitted with either Home Optic receptacles or other compatible receptacles commonly used for FTTH applications.

H-Connector FTTH drop fits into the OptiTap®.



Bulkhead Receptacle



H-Connector

Features & Benefits:

Feature	Benefits
IP-68 Water and dust protection:	Provides superior weather resistance for FTTH and other outdoor applications
Factory or field installation:	Allows flexibility to use factory terminated and tested assemblies or retrofit to pre-terminated or field installed assemblies.
-40°C to +85°C Operating Temperature:	Suitable for FTTH and other outdoor temperature extremes
150 N (33 lbs) Cable Retention:	Ensures functionality in ice loading situations
Accepts 4.8mm to 7.0mm Cable Diameters:	Can be used with industry standard cable designs
Pass-thru design:	Can be used with many common connector styles including Optical SC and LC, Cat 5, 5e, 6, 7, Power and others
No tool installation:	Easily installs without special tooling
Bayonet style interface:	One handed mating, no torque requirements for proper sealing
100 minimum mating cycles:	Allows multiple mating to accommodate installation or re-configuration
Flexible cable exit boot:	Provides bend protection for installation and long term use

Applications:

- FTTH Applications
- Outdoor Industrial Systems

OptiTap® is a registered trademark of Corning Optical Communications LLC

Parameter	Specification
Pull Force: 150N (33 Pounds)	IEC 61300-2-4
Vibration	IEC 61300-2-1
Salt Mist	IEC 61300-2-26
Impact	IEC 61300-2-12
Temperature	IEC 61300-2-22
Humidity	IEC 61300-2-22



The H Connector dust cap was designed to be used as a pulling eye:	Axial Pull Force for Plug to Cable through the Dust Cap = 100 lb
The H-Connector receptacle :	Axial Pull Force for Plug to Adapter receptacle = 50 lb

Fiber Drop Ordering Information:

CIFA No.	Description	ABS Part No.
92023	USD Drop cable Full Size (Opti) to SC/UPC with Pulling Sock - Flat Locatable 50 FT no spool	C4415-050-995
92024	USD Drop cable Full Size (Opti) to SC/UPC with Pulling Sock - Flat Locatable 100 FT no spool	C4415-100-995
92025	USD Drop cable Full Size (Opti) to SC/UPC with Pulling Sock - Flat Locatable 150 FT no spool	C4415-150-995
92026	USD Drop cable Full Size (Opti) to SC/UPC with Pulling Sock - Flat Locatable 200 FT no spool	C4415-200-995
92027	USD Drop cable Full Size (Opti) to SC/UPC with Pulling Sock - Flat Locatable 250 FT no spool	C4415-250-995
92028	USD Drop cable Full Size (Opti)to SC/UPC with Pulling Sock - Flat Locatable 300 FT no spool	C4415-300-995
92029	USD Drop cable Full Size (Opti)to SC/UPC with Pulling Sock - Flat Locatable 350 FT no spool	C4415-350-995
92030	USD Drop cable Full Size (Opti)to SC/UPC with Pulling Sock - Flat Locatable 400 FT no spool	C4415-400-995
92031	USD Drop cable Full Size (Opti)to SC/UPC with Pulling Sock - Flat Locatable 450 FT no spool	C4415-450-995
92032	USD Drop cable Full Size (Opti)to SC/UPC with Pulling Sock - Flat Locatable 500 FT tri-flange spool	C4415-500-995
92033	USD Drop cable Full Size (Opti)to SC/UPC with Pulling Sock - Flat Locatable 550 FT tri-flange spool	C4415-550-995
92036	USD Drop cable Full Size (Opti) to SC/UPC with Pulling Sock - Flat Locatable 700 FT tri-flange spool	C4415-700-995
92037	USD Drop cable Full Size (Opti) to SC/UPC with Pulling Sock - Flat Locatable 750 FT tri-flange spool	C4415-750-995
92894	USD Drop cable Full Size (Opti) to SC/UPC with Pulling Sock - Flat Locatable 1000 FT tri-flange spool	C4415-1000-995
92895	USD Drop cable Full Size (Opti) to SC/UPC with Pulling Sock - Flat Locatable 1500 FT tri-flange spool	C4415-1500-995
305832	USD Drop cable Full Size (Opti) to SC/UPC with Pulling Sock - Flat Locatable 1750 FT tri-flange spool	C4415-1750-995
307226	USD Drop cable Full Size (Opti) to SC/UPC with Pulling Sock - Flat Locatable 2000 FT tri-flange spool	C4415-2000-995
307227	USD Drop cable Full Size (Opti) to SC/UPC with Pulling Sock - Flat Locatable 2500 FT tri-flange spool	C4415-2500-995
32739	Opti-Tap to SC/APC with Pulling Sock - Flat locatable 15 FT' no spool	942-97681-F0150
32740	Opti-Tap to SC/APC with Pulling Sock - Flat locatable 200 FT no spool	942-97681-F0200
32742	Opti-Tap to SC/APC with Pulling Sock - Flat locatable 300 FT no spool	942-97681-F0300
32744	Opti-Tap to SC/APC with Pulling Sock - Flat locatable 400 FT no spool	942-97681-F0400
32746	Opti-Tap to SC/APC with Pulling Sock - Flat locatable 500 FT tri-flange spool	942-97681-F0500

The **Amphenol Multiport Terminal** is a sealed pluggable distribution point supporting local drop connections as well as distributed split FTTx architectures.

The IP68 factory sealed terminal is available in 2, 4, 8, or 12 port footprints accommodating different deployment needs and spaces. The weatherproof design and sealed pluggable ports offer quick drop cable connection while performing to the stringent environmental demands of the extreme outdoor environments.

Combined with Amphenol H-Connector hardened fiber optic drop cables the AMT provides a rugged pluggable outdoor fiber connection point to support rapid provisioning and long term performance.



964-E Series



Pedestal Mount



Aerial Mount

General Specifications

Telcordia GR-771:	Fiber Optic Terminal
Telcordia GR-3120:	Hardened Conn and Adapter
IEC 60529:	IP-68 2m Water Head
NEMA Type 6:	10 feet water head
Telcordia GR-326:	Fiber Optic Connectors

Environmental Specifications

Temp. Range Operation (°C):	-40 to +70
Temp. Range Storage (°C):	-40 to +70
Temp. Range Installation (°C):	-30 to +70

Splitter Specifications

	1x2	1x4	1x8
Operating Wavelength:	1260~1650 nm		
Insertion Loss (with connector):	≤4.0 dB	≤7.4 dB	≤10.2 dB
Uniformity:	≤0.6 dB	≤0.8 dB	≤0.8 dB
PDL:	≤0.2 dB	≤0.3 dB	≤0.3 dB
Return Loss:	≥55 dB		
Directivity:	≥55 dB		
Maximim Input Power:	300 mW		
Fiber Type:	G.657.A1		
Operating Temperature:	-40~75° C		
Storage Temperature:	-40~80° C		

Design Options

Output Options:	Standard	H-Connector Receptacle
	Optional	AARC, IP/LC, M-Conn, PT/LC Receptacles
Input Options:	Standard	Pigtail, M-Connector Receptacle
	Optional	H-Connector, PT/MPO Receptacles
Port Count:	Standard	2/4, 6/8, 10/12
Cable Options:	Standard	Flat (DE/Tonable), Round (5mm or 7mm)
Custom:	Red or Green H-Conn Adapters for specific custom configurations	
	Splitters (1x2, 1x4, 1x8) Singles or Multiples	

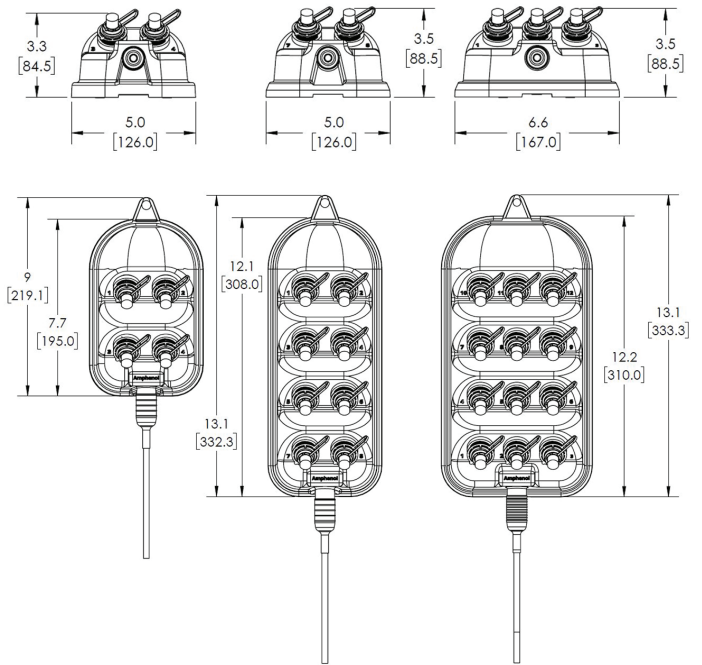
eAMT Dimensions



2/4 Port

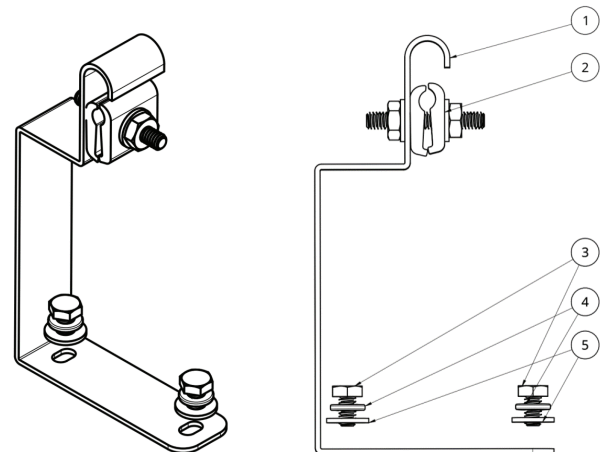
6/8 Port

10/12 Port



Aerial Mounting Bracket: 927-4145

#	Description	Material	Spec	Qty
1	Bracket, Aerial-mount w/ Hook	SUS304		2
2	D Cable Lashing Clamp	Carbon Steel		2
3	Hex Head Screw	SUS304	1/4"x1/2"	4
4	Spring Washer	SUS304	1/4"	4
5	Flat Washer	SUS304	1/4"	4



eAMT Ordering Information

CIFA No.	Description	ABS Part No.
309477	Enhanced AMT, PON 1x2 port H-Conn Adapters all ports	964-ER5GA-F0000
309478	Enhanced AMT, PON 1x4 port H-Conn Adapters all ports	964-ER56B-F0000
309479	Enhanced AMT, PON 1x8 port H-Conn Adapters all ports	964-ER58E-F0000
309480	Kit, eAMT Aerial Strand Mount 4" Aerial Drop Bracket (set of 2 with hardware)	927-4145