



COMCAST

Pedestal Ordering Guide

Amphenol 
Broadband Solutions®

Specifications subject to change at Amphenol Broadband Solutions' discretion



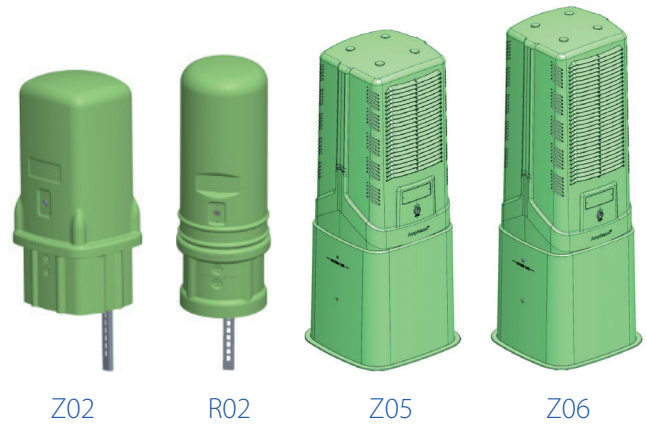


	Z02 Series	R02 Series	Z05 / Z06 Series	Z08 Series	Z14 / Z24 Series	CMPH-750SFN
Size	10"x 10" x 19" 26" overall height	10" round x 21" 31" overall height	Z05: 12x12x25" Z06: 12x12x30"	28"x16"x20" overall 28"x15"x20", 33" overall	Z14: 36"x24"x26" 41" overall Z24: 36"x24"x26" 60" overall	26"x14"x35
Vented/Unvented	Unvented	Unvented	Vented	Vented	Vented	Unvented
Lock Options	7/16" Hex	7/16" Hex	7/16" Hex	7/16" He	7/16" Hex	Hex Lock
Color	Light green Dark green Beige	Light green Dark green Beige	Light green Dark green	Light green Dark green Beige	Light green Dark green	Light green
Common Use	Taps, MSTs, other passives	Taps, MSTs, other passives	Line Extender, Amplifier, Fiber closure	Line extender, amplifier	High heat dissipation for R-PHY Node, amplifier and fiber storage	Fiber closure and Slack storage
CIFAs	300257, 300258, 300259	300260, 300261, 300262	Z05: 307280, 307281 Z06: 307282, 307283	310101, 310102, 310103	Z14: 94421, 306381 Z24: 306767	309309

Amphenol's line of Broadband Subscriber Access pedestals provide mounting and security for fiber taps, RF taps and line passives and larger fiber terminals found in today's Fiber-to-the-Home or coaxial based access networks.

The hex-head self-locking dome provides added protection against open enclosures. The Z02 and R02 include integrated equipment mounting stakes which allows the equipment to be secured directly to the stake. The bases on the Z-series pedestals are self-supporting. The Z-series incorporates a rear positioned equipping mounting stake and allows equipment to be secured directly to the stake.


All the pedestals are constructed from a polyethylene resin specifically designed for outside plant environments, resisting impact, ultraviolet and environmental degradation.



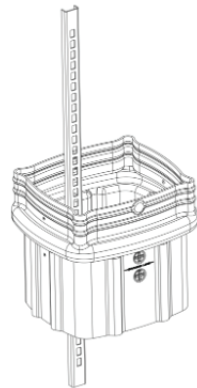
Features:

- Molded of polyethylene (PE) with ultraviolet (U/V) inhibitors to provide color stability, impact resistance, and long-life
- Housing colors: light green, dark green and beige
- Self-latching, dome locking system reduces unlocked pedestals and unwanted access
- Hex-head locking bolt for use with standard 7/16" CAN or terminal wrench
- Molded-in ground line for consistent installations
- Temporary drop access feature

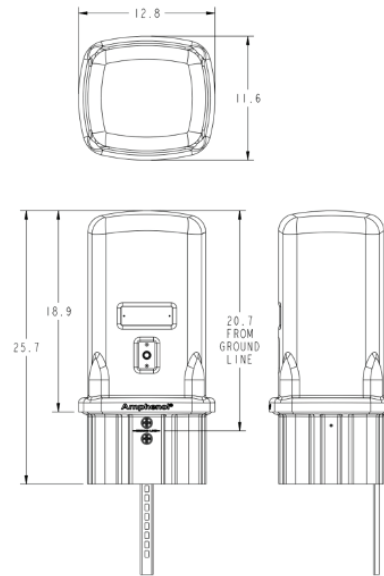
Specifications:

Color	Light Green – Option #2 Dark Green – Option #4 Beige – Option #3
Lock	7/16" Hex standard 
Cover Dimensions	<ul style="list-style-type: none"> • Z02 13" X 12" X 19"H • R02 10" dia. X 21"H • Z05 12" X 12" X 24" H • Z06 12" X 12" X 30" H
Overall Dimensions	<ul style="list-style-type: none"> • Z02 13" X 12" X 26" H • R02 10" dia" x 30" H • Z05 17" X 17" X 40" H • Z06 17 X 17" X 47" H

Z02 TAP / Fiber Terminal Pedestal

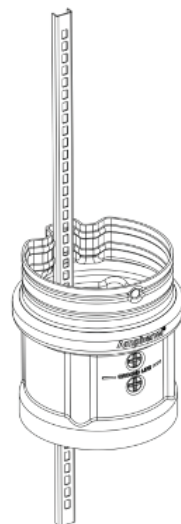


Z02 Internal Bracket
Option 000

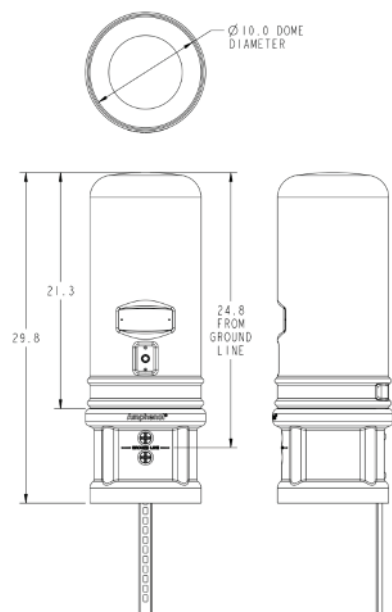


Z02 Dimensions

R02 TAP / Fiber Terminal Pedestal – Round Profile

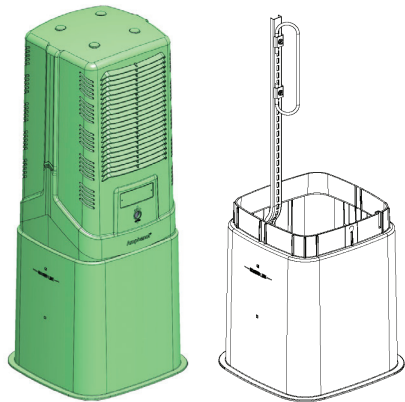


R02 Internal Bracket
Option 000

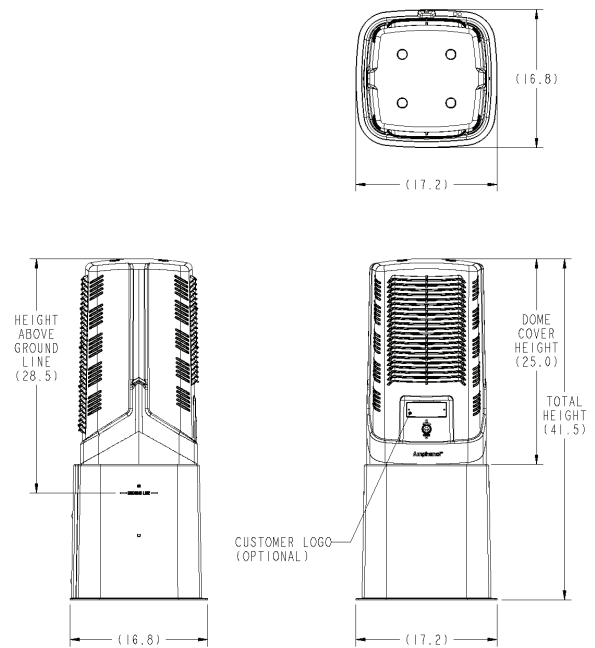


R02 Dimensions

Z05 TAP with Splice Pedestal - Short Dome

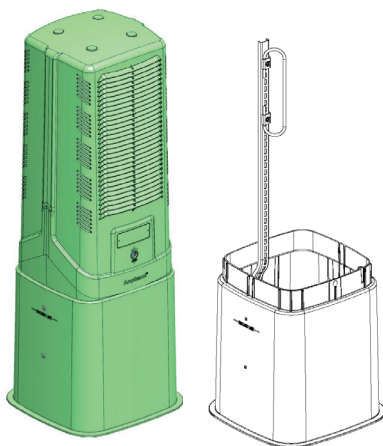


Z05SS07-20024BK

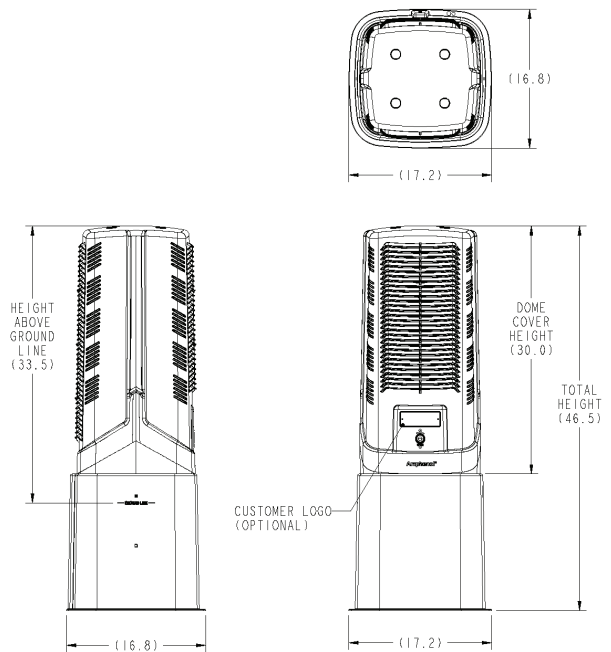


Z05 Dimensions

Z06 TAP with Splice Pedestal - Tall Dome



Z06SS07-20024BK



Z06 Dimensions

The next generation of DOCSIS amplifier and other active devices are placing increasing thermal and space demands on the outside plant. Amphenol has engineered a next generation amplifier pedestal that has been thermally optimized and can passively dissipate over 100W in a small 30" x 20" footprint. With constraints from municipalities and homeowners on the size and obtrusiveness of installed pedestals, the new Z08 can help providers expedite new deployments.

The Z08 series provides excellent thermal performance in the smallest footprint possible to house next generation amplifiers and other powered devices. With a smaller footprint, the units also provide lower installation costs.

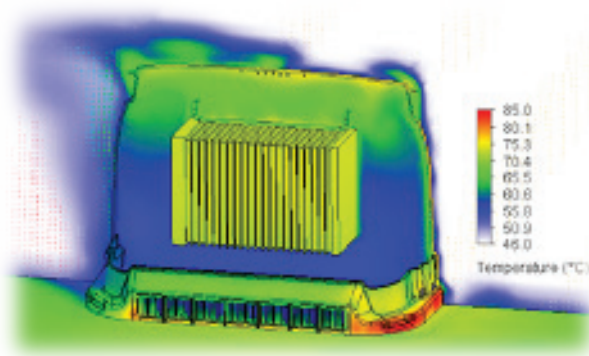
The Z08 is available in light green or dark green domes with a black base. The units feature a self-latching 7/16" hex head bolt. They come with a low profile upright and hanger bracket for easy attachment of active devices along with passive devices.



Z08 Series


Features:

- High-density engineered venting provides optimized heat dissipation for next generation amplifiers and devices
- Insect resistant vents prevent wasp and bee intrusion, protecting technicians accessing the enclosure
- Self-latching dome locking system reduces unlocked pedestals and unwanted access
- Self-supporting base requires no additional mounting stake
- Molded in ground line for consistent installations
- Corrosion resistant stainless steel brackets and hardware for long service life

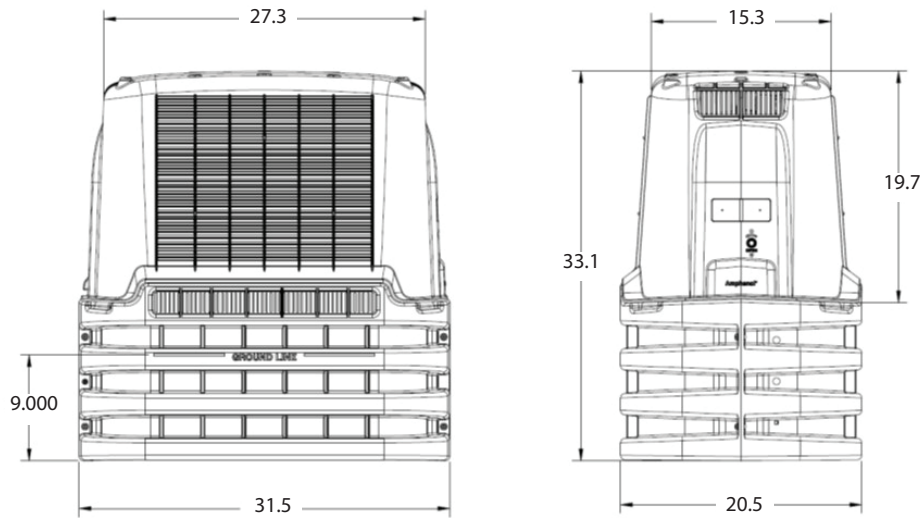


Amphenol conducts advanced thermal modeling during design, and conducts actual device testing in Z08 pedestals to validate passive heat dissipation to TIA 487-GR-CORE standard.

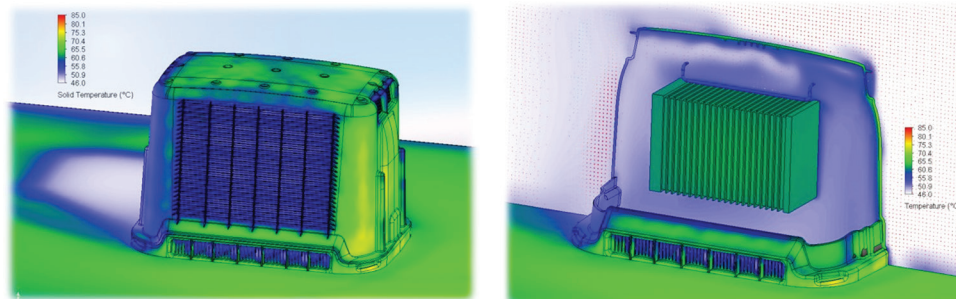
Specifications:

Color	Light green standard Dark green optional
Lock	7/16" Hex standard 
Cover Dimensions	27" x 15" x 20" H
Overall Dimensions	32" x 20" x 33" H

Z08 Dimensions



Thermal Performance



Pedestal Housing for Next Generation CATV / Broadband Network Equipment

Next generation CATV network upgrades, including Remote PHY (R-PHY), MAC-PHY, Node + 0, Node + N, etc., are placing increasing thermal and space demands on outside plant pedestal housings. New R-PHY optical nodes are being engineered to dissipate greater than 160 watts of power; significantly greater than prior generations of pedestal housings were designed to accommodate. Pedestals that cannot accommodate 160W can result in network outages or shorter equipment lifespans due to over-heated equipment.


The Amphenol Z-series pedestal housing was engineered specifically to meet the demands of next generation CATV network architectures and equipment. It is built to withstand the harsh elements typically found in outside plant deployments. Leveraging our expertise in outside plant enclosure engineering, thermal analysis, design and testing, the Z-series is capable of supporting R-PHY compliant equipment across all regions in the USA. Z24 provides a double deep base option for additional cable storage.



Features:

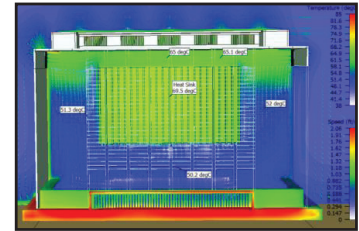
- Molded of high-density polyethylene (HDPE) with ultraviolet U/V inhibitors to provide impact resistance, color stability and long-life
- High-density engineered venting providing robust heat dissipation for high-output R-PHY nodes
- Insect resistant openings to prevent wasp and bee intrusion to protect technicians accessing the enclosure
- Self-latching dome locking system reduces unlocked pedestals and unwanted access
- Two-piece base allows for easy retrofit installations
- Self-supporting base requires no additional mounting stake
- Molded in ground line for consistent installations
- Corrosion resistant aluminum or stainless steel brackets and hardware for long service life

Specifications:

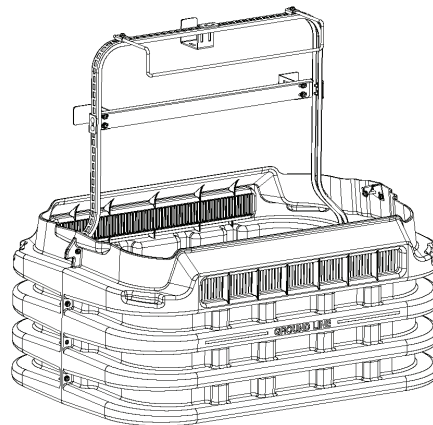
Color	Light Green - Standard (option #2) Dark Green (option #4)
Lock	7/16" Hex standard 
Cover Dimensions	38"X24"X26"H
Overall Dimensions	Z14: 42"x30"x41"H Z24: 42"x30"x60"H

Thermal Analysis

Our thermal management experts are available to consult with you on your specific application's heat dissipation needs, including thermal modeling of equipment as would be housed. Please contact your account representative for details.

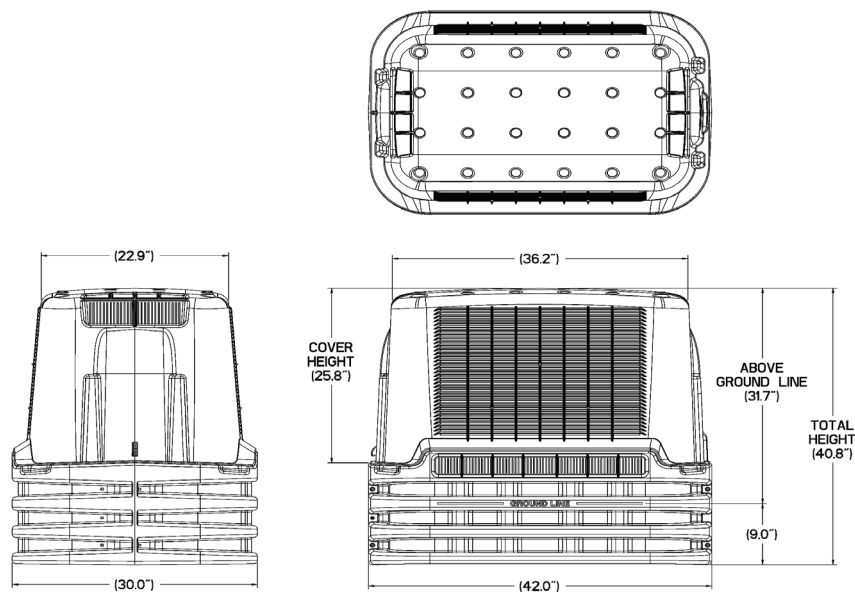


Z14 Bracket

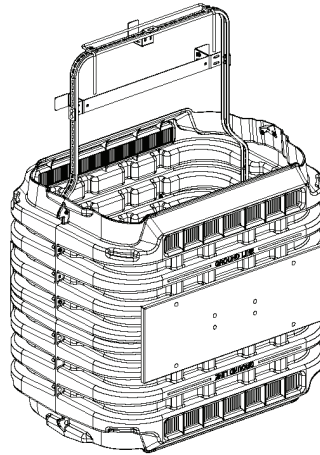


Low-Profile Node Bracket
with Fiber Slack Management
(Option 007)

Z14 Housing Dimensions

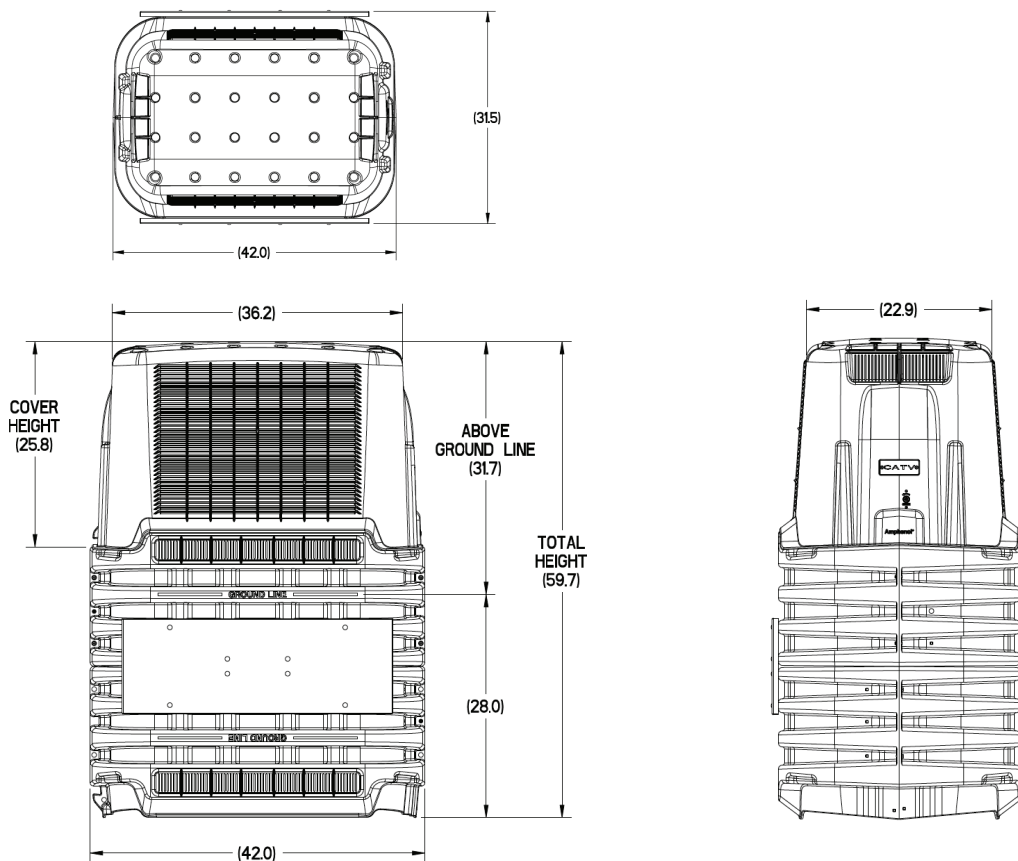


Z24 Bracket



Low-Profile Node Bracket
with Fiber Slack Management
(Option 007)

Z24 Housing Dimensions



A proven, versatile enclosure designed to environmentally protect outside plant equipment coax cabling, and fiber splicing in OSP networks

The Amphenol CMPH-7 Series Multi-Purpose Housing is designed for new installations as well as rehabilitation of existing CATV pedestal housings. The superior structural strength, outstanding environmental protection and ease of installation combine to create a long-life housing that reduces operational expenses. The CMPH-7 series housing has proven itself as a versatile workhorse supporting in a wide variety of applications and customer networks. Available with both vented and non-vented domes.

Applications:

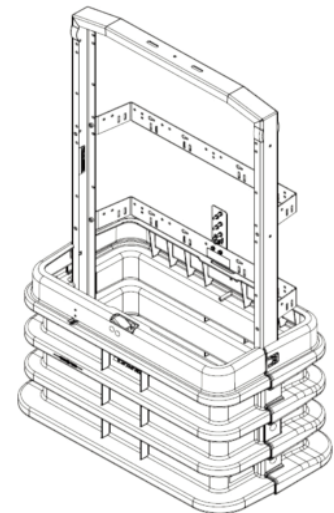
- Low cost solution to protect splice cases and fiber splicing
- Retrofits and upgrades to replace failing metallic enclosures
- Split base for simplified placement around existing cables

As a passive or active storage enclosure the CMPH-7 is a lower cost, easier to maintain than a handhole, providing an easy to locate and access, versus underground handholes potential of water fill and freezing.

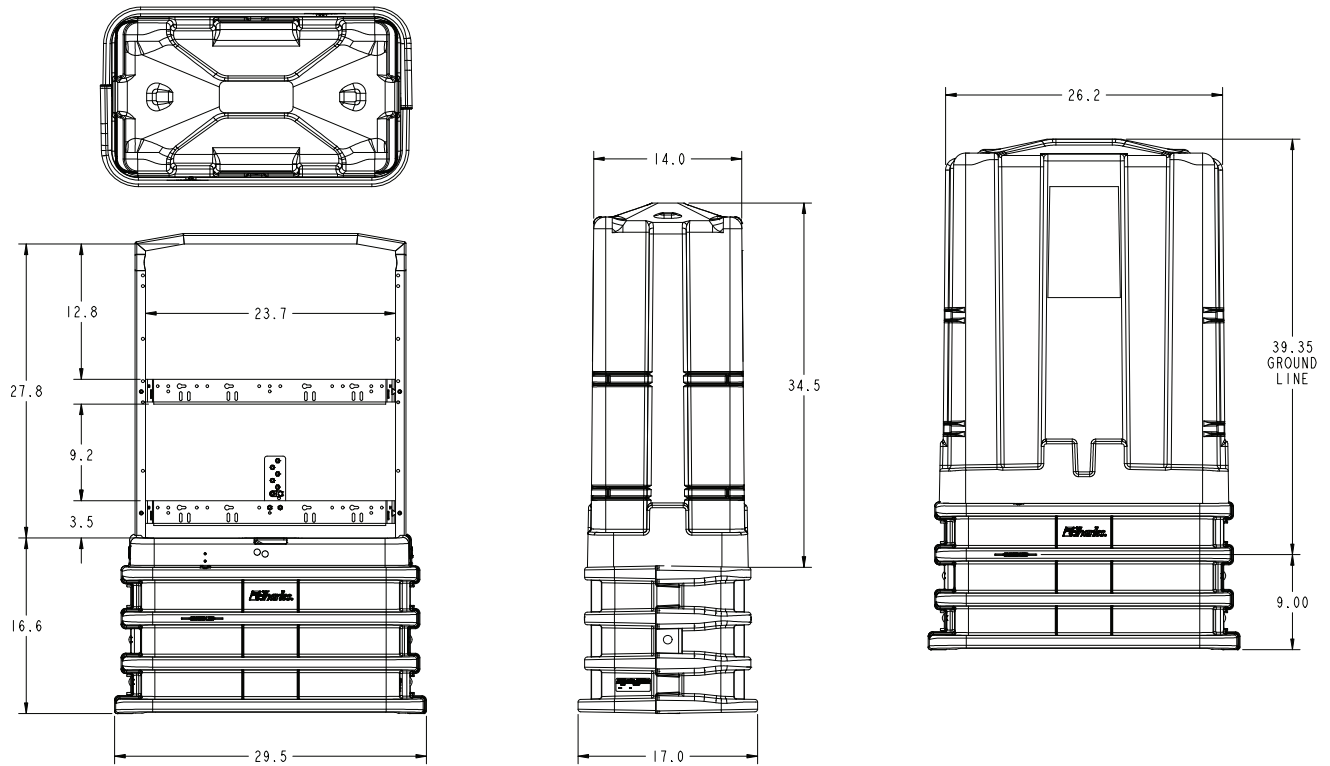
- Lift-off dome enables 360 degree access to internal working areas. Dual 7/16" Hex-head stainless steel locks provide security while allowing access via standard 216-tool or can wrench. Optional padlock hasp for added access control.
- The base provides ample room to bring in multiple cables and conduits for maximum user flexibility.
- Sturdy non-metallic construction offers superior dent resistance, corrosion protection and electric shock safety.
- Repositionable bonding and grounding bar offers flexibility for user equipment installation.



CMPH-7 Housing



Multi-Purpose Housing Dimensions



CIFA No.	Description	Skid Qty MOQ	ABS Part No.
Z02 Series			
300257	TAP with splicing pedestal, 12x12x25, light green, hex head self-latching dome, equipment mounting stake with c-bracket	24	Z02SS07-21000CT
300258	TAP/Fiber terminal pedestal, 10x10x25, beige, hex head self-latching dome, equipment mounting stake	24	Z02SS07-31000CT
300259	TAP/Fiber terminal pedestal, 10x10x25, dark green, hex head self-latching dome, equipment mounting stake	24	Z02SS07-41000CT
R02 Series			
300260	TAP/Fiber terminal pedestal, 10x22 round, light green, hex head self-latching dome, equipment mounting stake	24	R02SS07-21000CT
300261	TAP/Fiber terminal pedestal, 10x22 round, beige, hex head self-latching dome, equipment mounting stake	24	R02SS07-31000CT
300262	TAP/Fiber terminal pedestal, 10x22 round, dark green, hex head self-latching dome, equipment mounting stake	24	R02SS07-41000CT
Z05 Series			
307280	TAP with splicing pedestal, 12x12x25, light green, hex head self-latching dome, equipment mounting stake with C-bracket	6	Z05SS07-2002BK
307281	TAP with splicing pedestal, 12x12x25, dark green, hex head self-latching dome, equipment mounting stake with C-bracket	6	Z05SS0740024BK
Z06 Series			
307282	TAP with splicing pedestal, 12x12x32, light green, hex head self-latching dome, equipment mounting stake with C-bracket	6	Z06SS07-20024BK
307283	TAP with splicing pedestal, 12x12x32, dark green, hex head self-latching dome, equipment mounting stake with C-bracket	6	Z06SS07-40024BK
Z08 Series			
310101	28x16x20" amp pedestal, 7/16" hex head lock, light green dome, black base, low profile bracketry	6	Z08SS07-20002BK
310102	28"x16"x20" amp pedestal, 7/16" hex head lock, beige dome, black base, low profile bracketry	6	Z08SS07-30002BK
310103	28x16x20" amp pedestal, 7/16" hex head lock, dark green dome, black base, low profile bracketry	6	Z08SS07-40002BK
Z14 / Z24			
94421	AMP/Node pedestal, high heat, cover 38x24x26"H, overall 42x30x41"H, light green, hex head self-latching dome, low profile node bracketry with fiber storage brackets	4	Z14SS07-20007BK
306381	AMP/Node pedestal, high heat, cover 38x24x26"H, overall 42x30x41"H, dark green, hex head self-latching dome, low profile bracket with fiber storage, Blank nameplate	4	Z14SS07-40007BK
306767	AMP/NODE pedestal, with extended base high heat, cover, 38x24x16"H, overall 42x30x60"H, light green hex head self-latching dome, low profile node bracket with fiber storage brackets	2	Z24SS07-20007BK
Multi-Purpose Housing			
309309	CMPH, 26"x14" housing "U" upright with dual fiber storage brackets, bond plate with lugs, Lt green, non-vented dome, hex head lock	3	CMPH-750SFN

Contact your local ABS representative for more information - [Click here](#).