

Description:

Infinity Premise Enclosures combine style and easy product installation with our patented True Flex™ Quick Mount feature and Cable Retention slots. The Infinity Premise Enclosures are packed with ergonomic features that ensure reliability and satisfaction.



IPE872-LTC



IPE994-LTC



IPE12123-LTC

Features & Benefits:

- Three convenient sizes in weather resistant high impact thermoplastic alloy.
- Self-latching, hinged cover design snaps closed: with padlock and F-terminator security.
- Optimize space and cost.
- Quick mount rails enable True Flex devices to be snapped into place.
- Continuous bosses for flexible component placement.
- Cable retention slots allow work to be completed outside of the box.

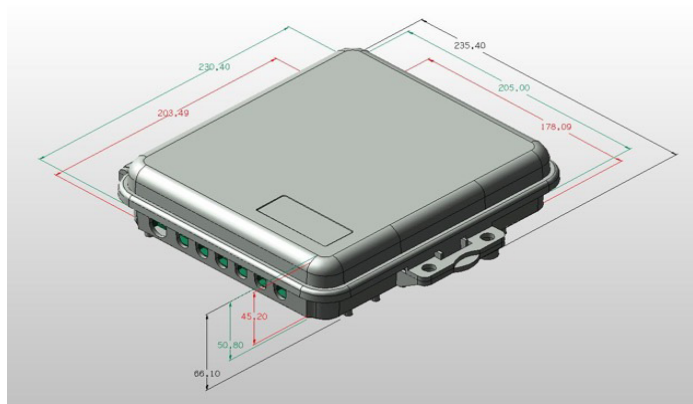
Applications:

Premise.

- Grounding
- RF Passives / Actives
- Optical Storage
- Optical Actives / Passives
- Hybrid RF / Optical Installations

Additional Info: Specifications

	IPE872-LTC	IPE994-LTC	IPE12123-LTC
Outside Dimensions (in/mm)	9.1" x 8.1" x 2.0" (230.4 x 205.0 x 50.8)	9.4" x 9.2" x 4.1" (239.1 x 232.7 x 103.2)	12.7" x 12.7" x 3.4" (322.6 x 322.6 x 85.1)
Inside Cavity Dimensions (in/mm)	8.0" x 7.0" x 1.8" (203.4 x 178.1 x 45.2)	8.3" x 8.1" x 3.9" (211.5 x 205.2 x 99.0)	11.6" x 11.6" x 3.1" (295.0 x 295.0 x 79.5)
Maximum Cubic Foot Print (in/mm)	9.1" x 9.3" x 2.6" 230.4 x 235.4 x 66.1	9.4" x 10.4" x 4.5" (239.1 x 263.0 x 115.2)	13.5" x 13.9" x 4.0" (350.8 x 352.9 x 100.4)
Mounting Boss Torque	20 in/lbs		
Impact Test at -40C	5ft/lbs on all surfaces		
Drop Test at -40C	5ft onto concrete surface 4 times		
High Temperature Storage/Mold Test	14 days at +75C		
Temperature Cycling With Humidity	150 days cycling from -40C to +60C with 95% humidity		
UV Resistance (Days Exposed)	60 per ASTM0G26-84		
Salt Fog (Days Exposed)	60 per ASTM0BLL7-90		
Rain	24 hours at 10psi		
Flammability	UL94-5V		



Enclosure Dimensions Example IPE872

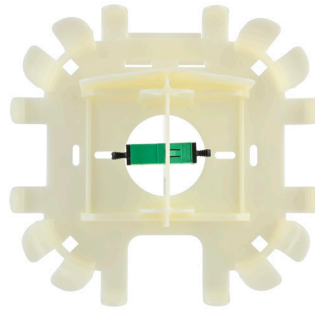
- Red** Inside cavity measured at the floor of the base
- Green** Outside enclosure measured at the rim and top cover to bottom base
- Black** Overall maximum footprint including latch, hinges, and bottom mounts

Fiber Tray Option

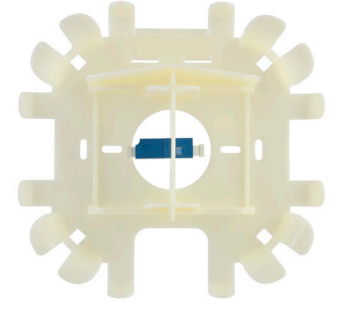
- IPEFT6-H1SC Snap in Tray, 1 SC/APC Adapter
- IPEFT6-H2SC Snap in Tray, 2 SC/APC Adapter
- IPEFT6-H1LC Snap in Tray, 1 LC/UPC Adapter
- IPEFT6-H2LC Snap in Tray, 2 LC/UPC Adapter



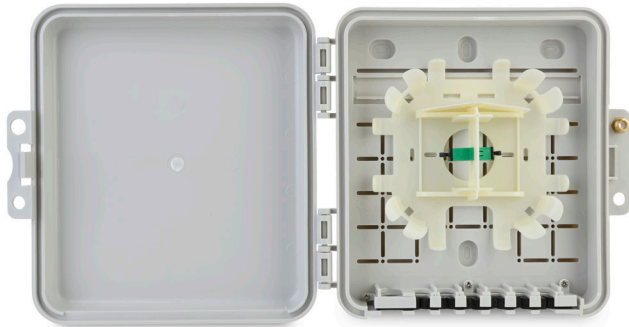
IPE872-LTC Enclosure



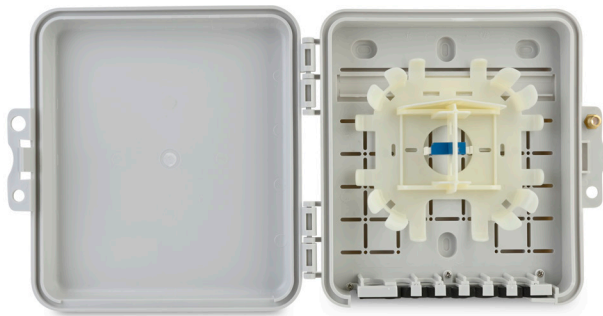
IPEFT6-H1SC
Snap-in Fiber Tray



IPEFT6-H1LC
Snap-in Fiber Tray



IPE872-LTC Enclosure and
IPEFT6-H1SC Snap-in Fiber Tray



IPE872-LTC Enclosure and
IPEFT6-H1LC Snap-in Fiber Tray



Customers are reminded they are SOLELY responsible for confirming that all products are properly installed and used in accordance with codes and regulations.